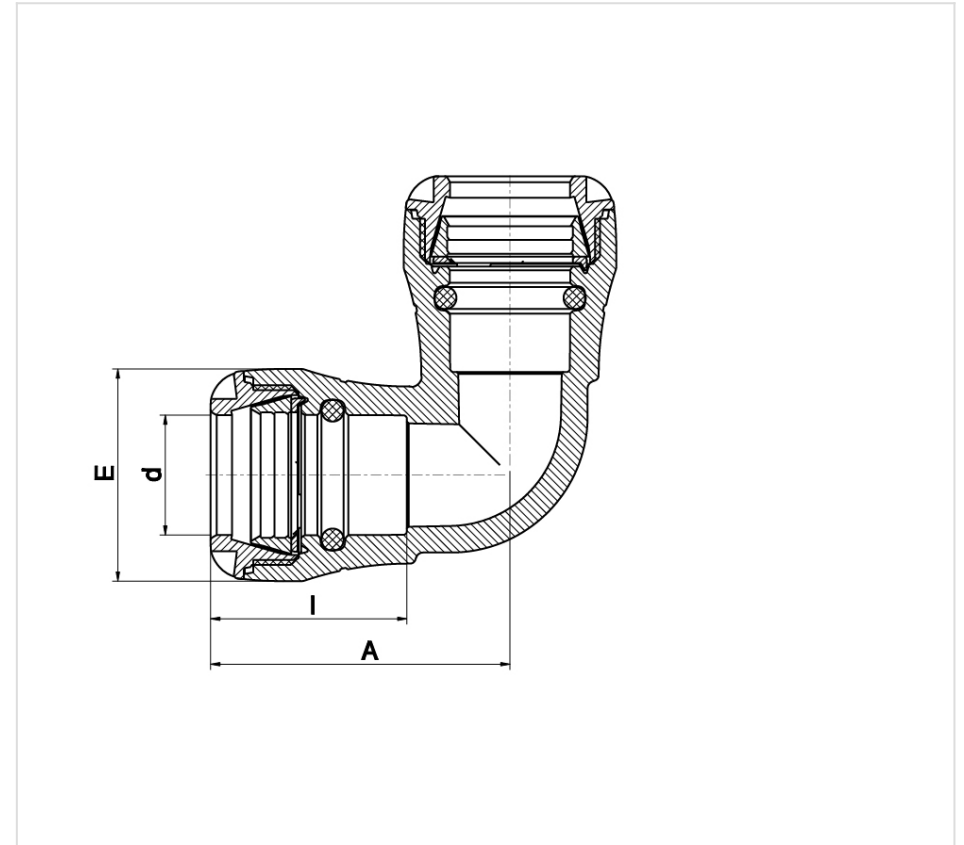


90° ELBOW

#100500



Body Material: Polypropylene, high-grade copolymer.

Nut Material: Polypropylene, high-grade copolymer.;

Split Ring Material: Polyacetal

Seal Material: NBR

Family Products

Product Code	dmm	Amm	Emm	Lmm	Pressure Rating Water	Weight_g
PP1005U0020	20	-	-	45	PN 16	75
PP1005U0025	25	73	47	48	PN 16	96
PP1005U0032	32	81	58	54	PN 16	157
PP1005U0040	40	106	70	70	PN 16	291
PP1005U0050	50	119	85	78	PN 16	462
PP1005U0063	63	141	103	90	PN 16	799