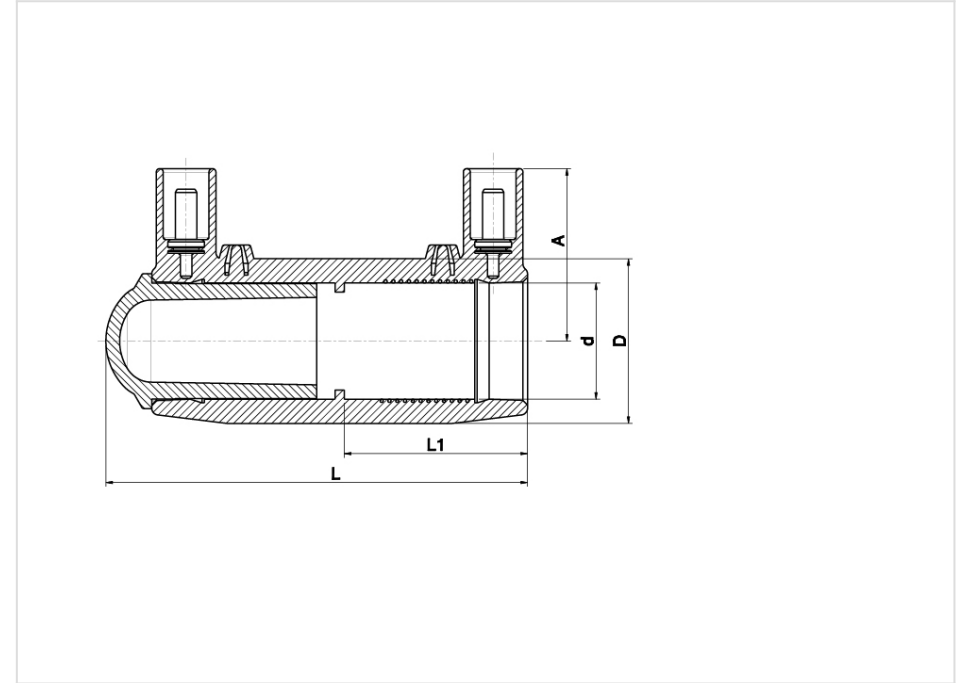


# END CAP

#491204



**Body Material:** PE100

## Family Products

Product Code	d <sub>mm</sub>	A <sub>mm</sub>	D <sub>mm</sub>	I <sub>1mm</sub>	L <sub>mm</sub>	L <sub>1mm</sub>	Gas Pressure Rating	Pressure Rating Water	Suitable Pipes	Weight <sub>g</sub>
PF491204020	20	34	31	37	84	-	PE100 SDR 11	PN 16	SDR 7 to SDR 11	60
PF491204025	25	37	36	40	92	-	PE100 SDR 11	PN 16	SDR 7 to SDR 11	50
PF491204032	32	42	44	-	103	42	PE100 SDR 11	PN 16	SDR 7 to SDR 11	80
PF491204040	40	46	56	47	114	-	PE100 SDR 11	PN 16	SDR 7 to SDR 11	130
PF491204050	50	51	67	49	121	-	PE100 SDR 11	PN 16	SDR 7 to SDR 11	200
PF491204063	63	57	82	57	142	-	PE100 SDR 11	PN 16	SDR 7 to SDR 17	330
PF491204075	75	64	98	61	156	-	PE100 SDR 11	PN 16	SDR 7 to SDR 17	500
PF491204090	90	70	117	73	183	-	PE100 SDR 11	PN 16	SDR 7 to SDR 17	820
PF491204110	110	81	140	78	206	-	PE100 SDR 11	PN 16	SDR 7 to SDR 17	1260
PF491204125	125	87	157	85	222	-	PE100 SDR 11	PN 16	SDR 7 to SDR 17	1700
PF491204140	140	97	174	90	237	-	PE100 SDR 11	PN 16	SDR 7 to SDR 17	2350
PF491204160	160	105	194	93	261	-	PE100 SDR 11	PN 16	SDR 7 to SDR 21	2990
PF491204180	180	116	218	105	283	-	PE100 SDR 11	PN 16	SDR 7 to SDR 17	4160

Product Code	d <sub>mm</sub>	A <sub>mm</sub>	D <sub>mm</sub>	I <sub>1mm</sub>	L <sub>mm</sub>	L <sub>1mm</sub>	Gas Pressure Rating	Pressure Rating Water	Suitable Pipes	Weight <sub>g</sub>
PF491204200	200	126	242	109	289	-	PE100 SDR 11	PN 16	SDR 7 to SDR 17	5260
PF491204225	225	138	272	119	318	-	PE100 SDR 11	PN 16	SDR 7 to SDR 17	7260
PF491204250	250	156	311	-	344	123	PE100 SDR 11	PN 16	SDR 7 to SDR 21	8380
491204280	280	170	340	134	396	-	PE100 SDR 11	PN 16	SDR 7 to SDR 17	11740
PF491204315	315	184	387	139	405	-	PE100 SDR 11	PN 16	SDR 7 to SDR 26	16050