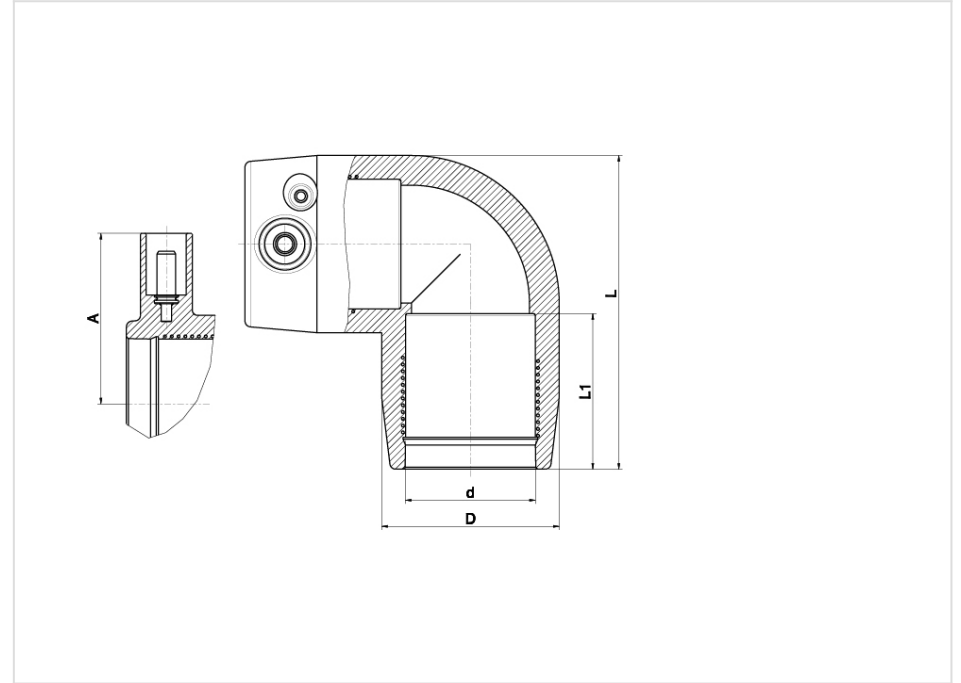


90° ELBOW

#490504



Body Material: PE100

Family Products

Product Code	dmm	Amm	Dmm	I1mm	Lmm	L1mm	Gas Pressure Rating	Pressure Rating Water	Suitable Pipes	Weightg
PF490504020	20	38	36	35	66	-	PE100 SDR 11	PN 16	SDR 7 to SDR 11	70
PF490504025	25	38	36	37	66	-	PE100 SDR 11	PN 16	SDR 7 to SDR 11	50
490504032	32	43	44	-	83	40	PE100 SDR 11	PN 16	SDR 7 to SDR 11	96.00
PF490504040	40	47	55	44	92	-	PE100 SDR 11	PN 16	SDR 7 to SDR 17	140
PF490504050	50	52	68	48	108	-	PE100 SDR 11	PN 16	SDR 7 to SDR 17	210
PF490504063	63	59	81	57	131	-	PE100 SDR 11	PN 16	SDR 7 to SDR 17	320
PF490504075	75	62	97	69	158	-	PE100 SDR 11	PN 16	SDR 7 to SDR 17	530
PF490504090	90	69	113	78	213	-	PE100 SDR 11	PN 16	SDR 7 to SDR 17	880
PF490504110	110	79	143	79	243	-	PE100 SDR 11	PN 16	SDR 7 to SDR 17	1520
PF490504125	125	89	165	100	271	-	PE100 SDR 11	PN 16	SDR 7 to SDR 17	2420
PF490504140	140	94	183	93	309	-	PE100 SDR 11	PN 16	SDR 7 to SDR 17	3020
PF490504160	160	106	209	87	323	-	PE100 SDR 11	PN 16	SDR 7 to SDR 17	3990
PF490504180	180	115	244	105	412	-	PE100 SDR 11	PN 16	SDR 7 to SDR 17	7590

Product Code	d_{mm}	A_{mm}	D_{mm}	I_{1mm}	L_{mm}	L_{1mm}	Gas Pressure Rating	Pressure Rating Water	Suitable Pipes	Weight_g
PF490504200	200	124	262	112	449	-	PE100 SDR 11	PN 16	SDR 7 to SDR 17	8670
PF490504225	225	140	295	121	498	-	PE100 SDR 11	PN 16	SDR 7 to SDR 21	12200
PF490504250	250	152	327	130	550	-	PE100 SDR 11	PN 16	SDR 7 to SDR 26	13500