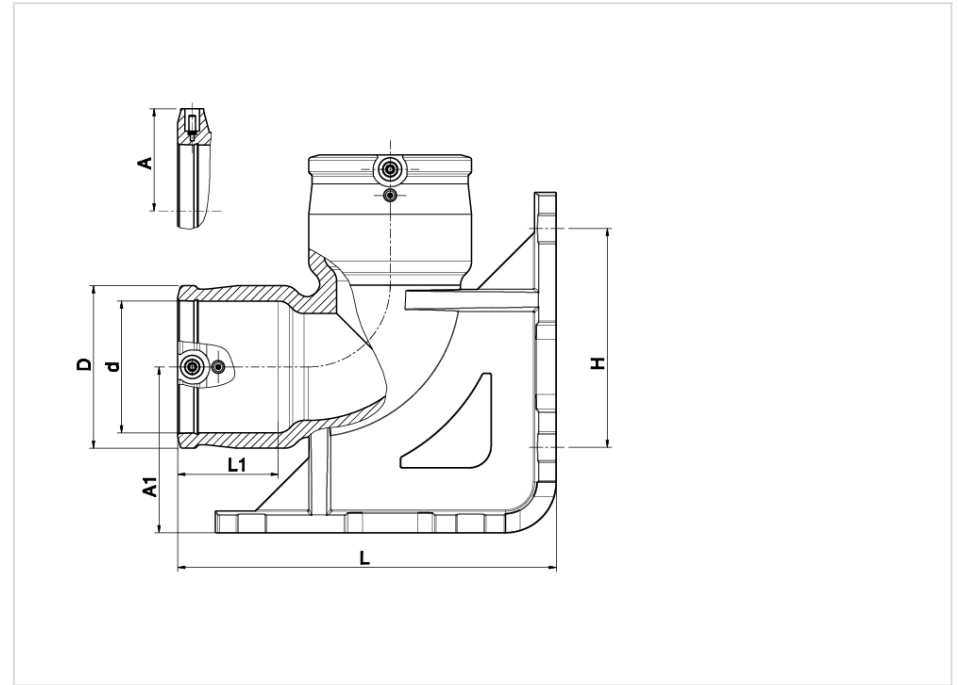


90° DUCKFOOT ELBOW

#491504



Body Material: PE100

Family Products

Product Code	d _{mm}	A _{mm}	D _{mm}	H _{mm}	I _{1mm}	L _{mm}	Gas Pressure Rating	Pressure Rating Water	Suitable Pipes	Weight _g
PF491504090	90261	71	112	146	69	261	PE100 SDR 11	PN 16	SDR 7 to SDR 17	2260