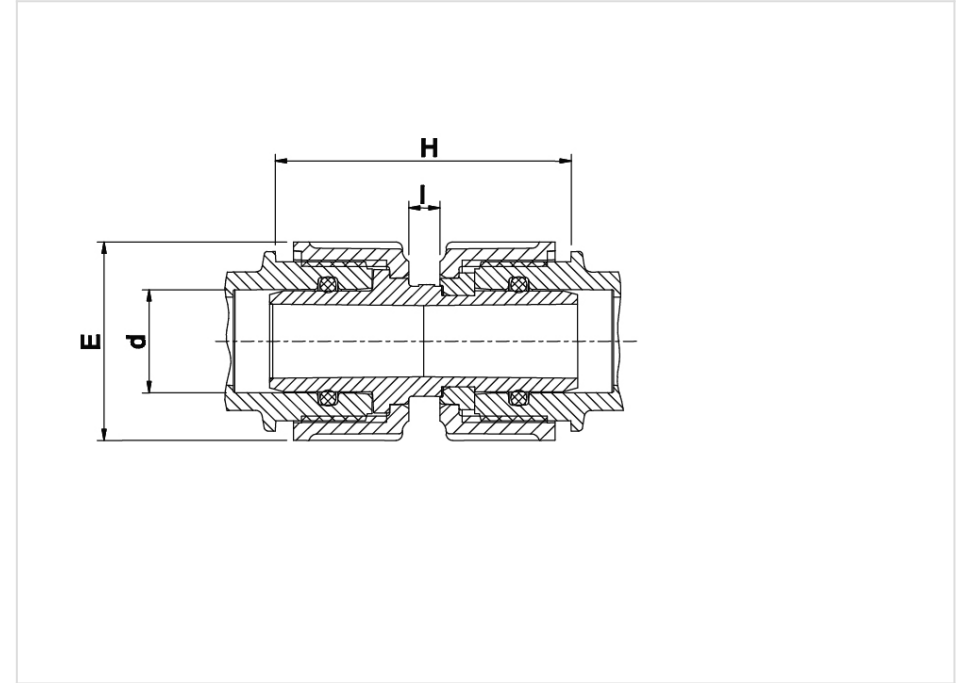


MODULAR ADAPTOR

#079406



Body Material: Polypropylene, high-grade copolymer.

Nut Material: Polypropylene, high-grade copolymer.;

Split Ring Material: Polyacetal

Family Products

Product Code	dmm	Emm	Hmm	Lmm	Weight_g
PL079400020	20	48	80	10	50
PL079400025	25	54	80	10	61
PL079400032	32	64	93	10	104
PL079400040	40	82	102	10	173
PL079400050	50	93	107	10	257
PL079400063	63	113	119	10	422