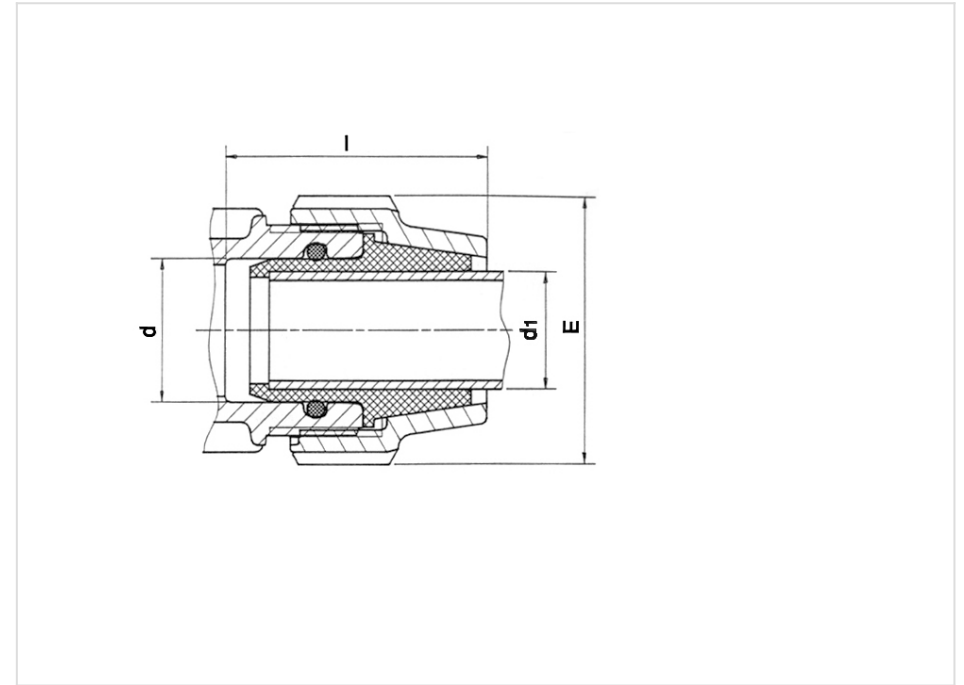


ADAPTOR FOR COPPER AND IMPERIAL UPVC

#07896



Seal Material: NBR

Family Products

Product Code	dmm	d1mm	Emm	Lmm	Weightg
07896015P	20	15	48	-	13.5
PL07896022P	25	22	54	64	15
07896028P	32	28	64	-	25.5
07896035P	40	35	82	-	55
07896042P	50	42	96	-	110