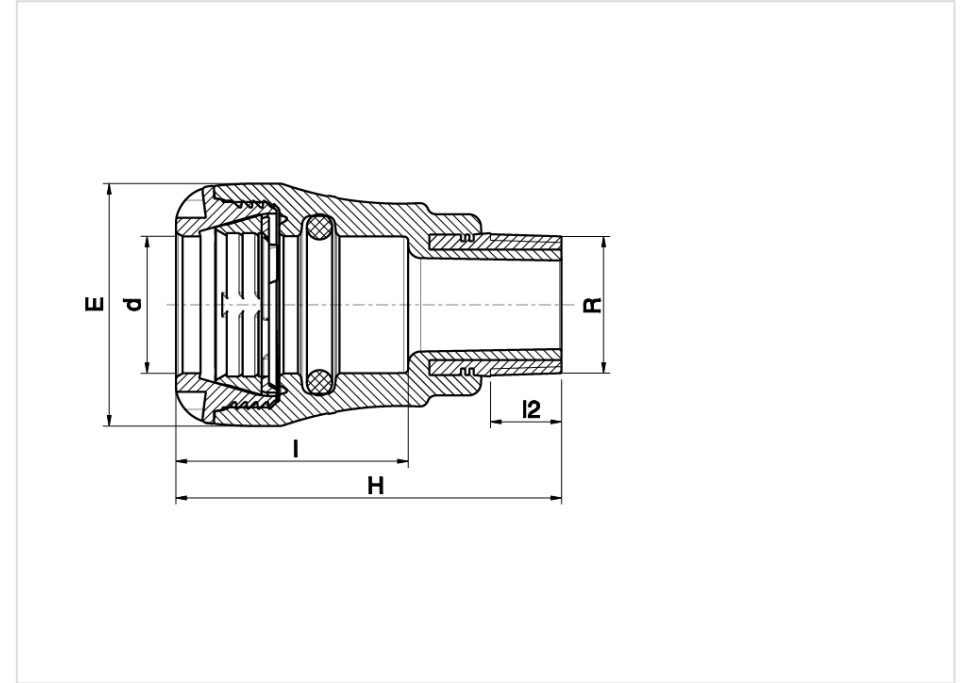


MALE ADAPTOR

#100200



Body Material: Polypropylene, high-grade copolymer.

Nut Material: Polypropylene, high-grade copolymer.;

Split Ring Material: Polyacetal

Seal Material: NBR

Family Products

Product Code	d _{mm}	R _{inch}	E _{mm}	H _{mm}	L _{mm}	L2 _{mm}	Pressure Rating Water	Weight _g
PP1002U0020005	20	1/2"	41	70	45	16	PN 16	41
PP1002U0020007	20	3/4"	41	71	45	17	PN 16	41
PP1002U0025005	25	1/2"	47	75	48	16	PN 16	52
PP1002U0025007	25	3/4"	47	76	48	17	PN 16	52
PP1002U0025010	25	1"	47	78	48	19	PN 16	55
100200032015	32	1 1/2"	58	86	55	21	PN 16	94
100200032020	32	2"	58	97	55	25	PN 16	138
PP1002U0032007	32	3/4"	58	82	55	17	PN 16	83
PP1002U0032010	32	1"	58	84	55	19	PN 16	86
PP1002U0032013	32	1 1/4"	58	86	55	21	PN 16	90
PP1002U0040010	40	1"	70	104	73	19	PN 16	145
PP1002U0040013	40	1 1/4"	70	106	73	21	PN 16	149
PP1002U0040015	40	1 1/2"	70	106	73	21	PN 16	152

Product Code	dmm	Rinch	Emm	Hmm	Lmm	L2mm	Pressure Rating Water	Weightg
100200040020	40	2"	70	110	73	25	PN 16	161
PP1002U0050015	50	1 1/2"	85	114	81	21	PN 16	226
PP1002U0050020	50	2"	85	118	81	25	PN 16	232
100200050010	50	1	85	125	78	19	PN 16	238
100200050013	50	1 1/4"	85	122	78	21	PN 16	234
PP1002U0063015	63	1 1/2"	103	125	92	19	PN 16	377
PP1002U0063020	63	2"	103	129	92	25	PN 16	367