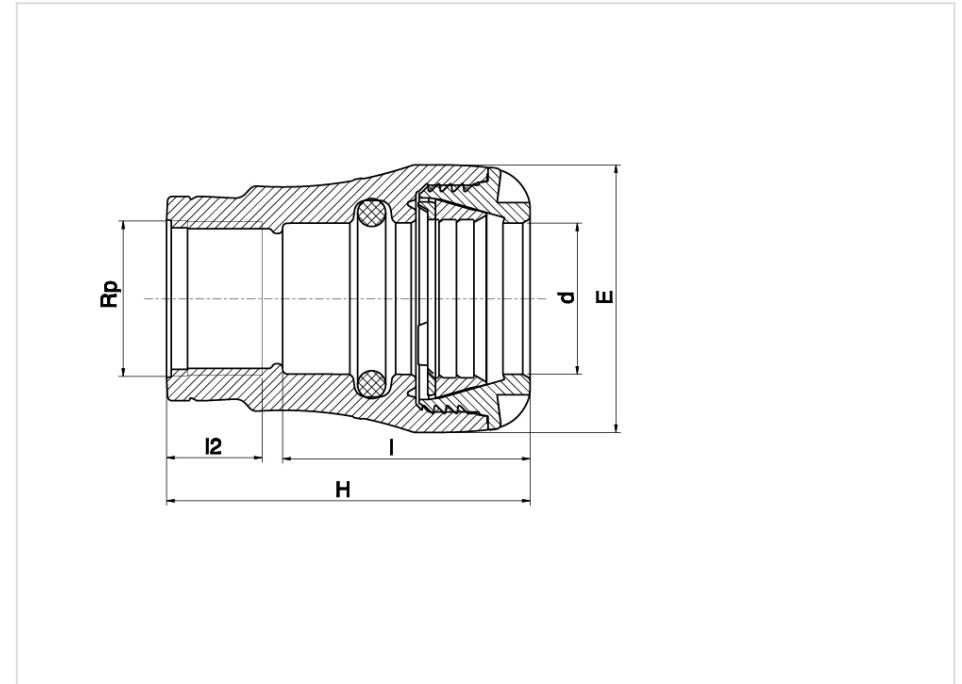


# FEMALE ADAPTOR

#100300



**Body Material:** Polypropylene, high-grade copolymer.

**Nut Material:** Polypropylene, high-grade copolymer.;

**Split Ring Material:** Polyacetal

**Seal Material:** NBR

## Family Products

Product Code	d <sub>mm</sub>	R <sub>pinch</sub>	E <sub>mm</sub>	H <sub>mm</sub>	L <sub>mm</sub>	L <sub>2mm</sub>	Pressure Rating Water	Weight <sub>g</sub>
PP1003U0020005	20	1/2"	41	67	45	17	PN 16	43
100300020007	20	3/4"	41	71	45	18	PN 16	45
PP1003U0025005	25	1/2"	47	70	48	17	PN 16	52
PP1003U0025007	25	3/4"	47	71	48	18	PN 16	52
PP1003U0025010	25	1"	47	80	48	21	PN 16	60
PP1003U0032007	32	3/4"	58	77	54	18	PN 16	78
PP1003U0032010	32	1"	58	79	54	21	PN 16	81
PP1003U0032013	32	1 1/4"	58	90	54	24	PN 16	112
100300032015	32	1 1/2"	58	95	54	24	PN 16	129
100300040010	40	1"	70	97	70	21	PN 16	153
PP1003U0040013	40	1 1/4"	70	100	70	24	PN 16	171
100300040015	40	1 1/2"	70	103	70	24	PN 16	171
100300050013	50	1 1/4"	85	110	78	24	PN 16	241

<b>Product Code</b>	<b>d<sub>mm</sub></b>	<b>R<sub>pinch</sub></b>	<b>E<sub>mm</sub></b>	<b>H<sub>mm</sub></b>	<b>L<sub>mm</sub></b>	<b>L<sub>2mm</sub></b>	<b>Pressure Rating Water</b>	<b>Weight<sub>g</sub></b>
PP1003U0050015	50	1 1/2"	85	110	78	24	PN 16	247
PP1003U0050020	50	2"	85	118	78	29	PN 16	252
PP1003U0063015	63	1 1/2"	103	125	90	24	PN 16	378
PP1003U0063020	63	2"	103	129	90	29	PN 16	379