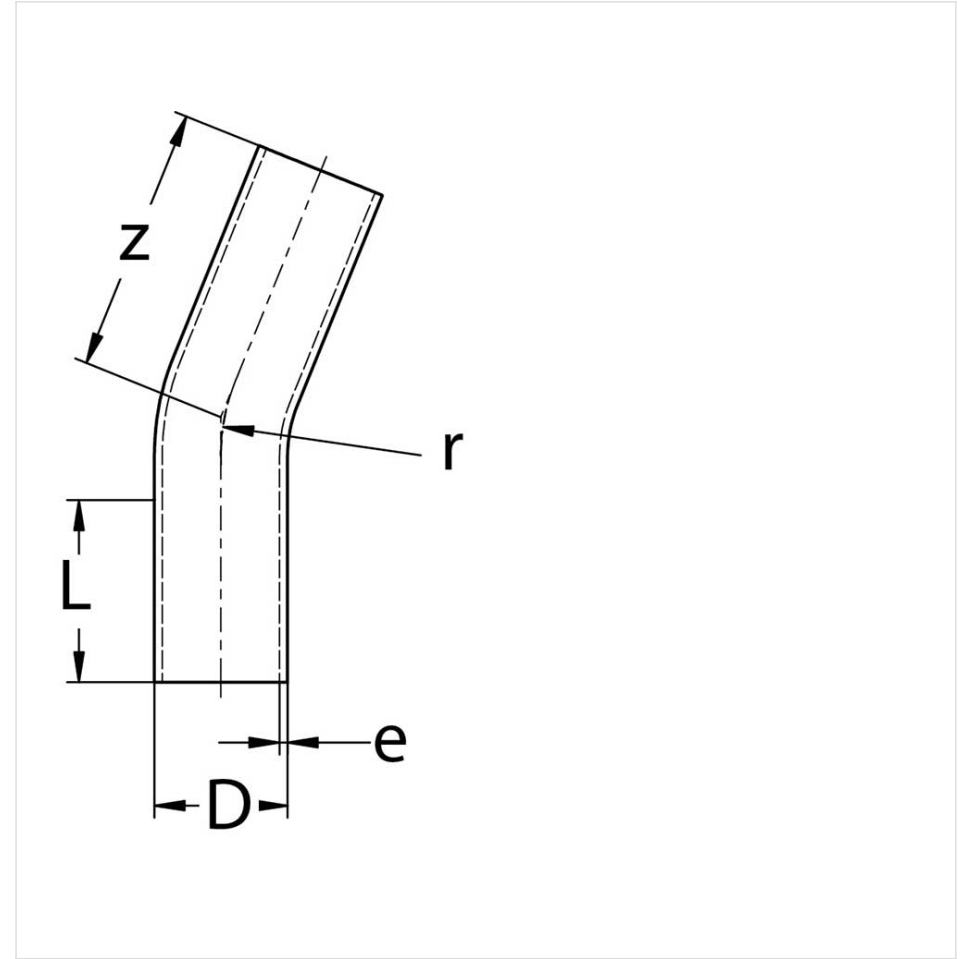


SEAMLESS PIPE BENDS 22 DEGREE SDR11

#PS243322



Body Material: PE100

Family Products

Product Code	R	D _{mm}	e _{mm}	L	z	Gas Pressure Rating	Suitable Pipes	Weight _{kg}
PS2433112225	95	63	5.8	100	160	PE100 SDR11	SDR11	0.30
PS2433122225	113	75	6.9	100	170	PE100 SDR11	SDR11	0.50
PS2433132225	135	90	8.2	345	371	PE100 SDR11	SDR11	1.60
PS2433142225	165	110	10.0	340	372	PE100 SDR11	SDR11	2.40
PS2433152225	188	125	11.4	355	372	PE100 SDR11	SDR11	3.10
PS2433162225	210	140	12.7	390	431	PE100 SDR11	SDR11	4.50
PS2433172225	240	160	14.6	385	432	PE100 SDR11	SDR11	5.90
PS2433182225	270	180	16.4	445	497	PE100 SDR11	SDR11	8.60
PS2433192225	300	200	18.2	435	493	PE100 SDR11	SDR11	10.60
PS2433202225	338	225	20.5	435	501	PE100 SDR11	SDR11	15.00
PS2433212225	375	250	22.7	490	563	PE100 SDR11	SDR11	18.40
PS2433222225	420	280	25.4	480	562	PE100 SDR11	SDR11	23.20
PS2433232225	470	315	28.6	535	626	PE100 SDR11	SDR11	32.50

Product Code	R	D_{mm}	e_{mm}	L	z	Gas Pressure Rating	Suitable Pipes	Weight_{kg}
PS2433242225	530	355	32.2	585	688	PE100 SDR11	SDR11	45.40
PS2433252225	637	400	36.3	300	650	PE100 SDR11	SDR11	51.60
PS2433262225	711	450	40.9	300	700	PE100 SDR11	SDR11	70.50
PS2433272225	783	500	45.4	350	750	PE100 SDR11	SDR11	93.10
PS2433282225	877	560	50.8	350	800	PE100 SDR11	SDR11	124.50
PS2433292225	955	630	57.2	350	850	PE100 SDR11	SDR11	167.50
PS2433302225	1128	710	64.5	350	1150	PE100 SDR11	SDR11	288.00
PS2433312225	1274	800	72.6	350	1250	PE100 SDR11	SDR11	397.10
PS2433322225	1430	900	81.7	400	1350	PE100 SDR11	SDR11	542.90