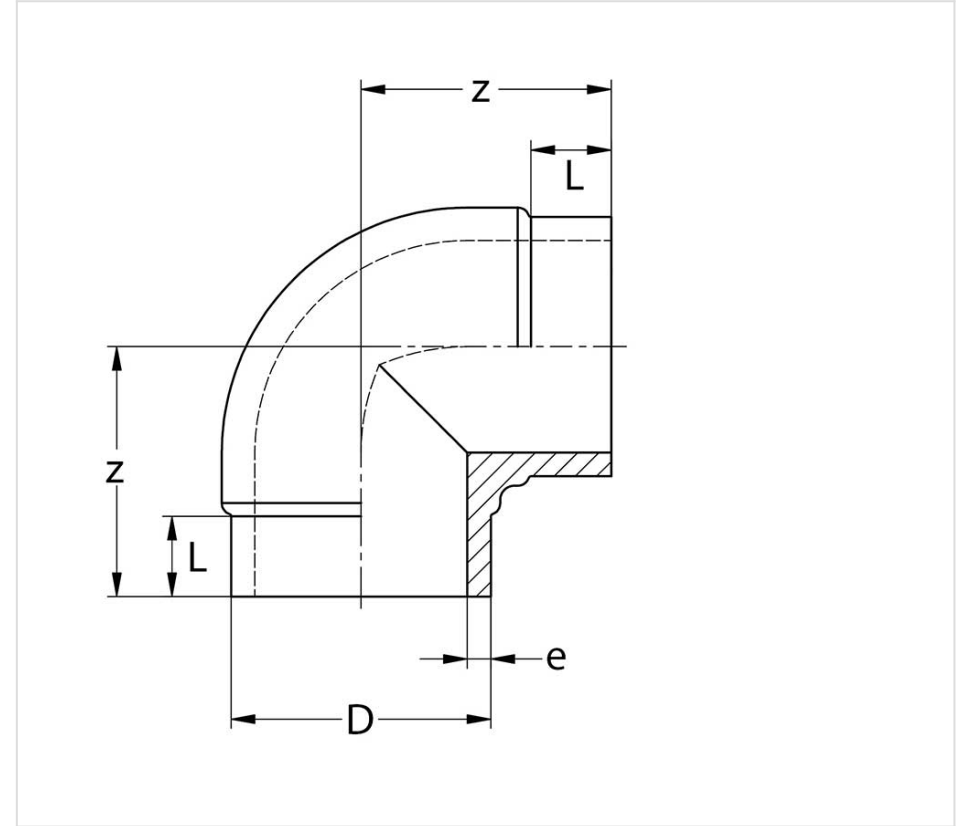


# SPIGOT ELBOW 45 SHORT SDR17

#PS241645



**Body Material:** PE100

## Family Products

Product Code	Dmm	emm	L	z	Gas Pressure Rating	Suitable Pipes	Weightkg
PS2416124515	75	4.5	25	68	PE100 SDR17	SDR17	0.13
PS2416134515	90	5.4	28	66	PE100 SDR17	SDR17	0.27
PS2416144515	110	6.6	34	79	PE100 SDR17	SDR17	0.43
PS2416164515	140	8.3	45	97	PE100 SDR17	SDR17	0.87
PS2416174515	160	9.5	50	108	PE100 SDR17	SDR17	1.31
PS2416184515	180	10.7	55	112	PE100 SDR17	SDR17	1.87
PS2416194515	200	11.9	60	125	PE100 SDR17	SDR17	2.44
PS2416204515	225	13.4	65	131	PE100 SDR17	SDR17	3.37
PS2416214515	250	14.8	70	166	PE100 SDR17	SDR17	4.62
PS2416224515	280	16.6	80	183	PE100 SDR17	SDR17	6.59
PS2416234515	315	18.7	90	200	PE100 SDR17	SDR17	9.06