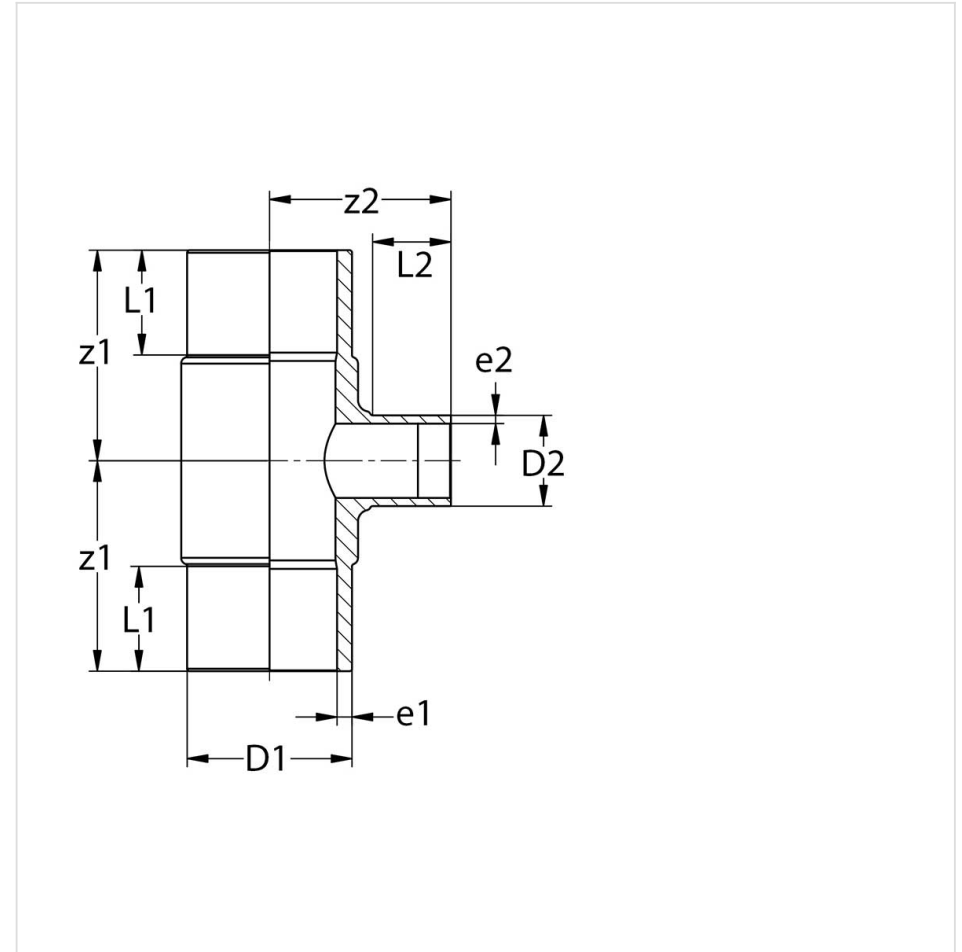


SPIGOT RED TEE LONG SDR17

#PS2524



Body Material: PE100

Family Products

Product Code	D1mm	D2mm	e1mm	e2mm	L1mm	L2	z1mm	z2mm	Gas Pressure Rating	Suitable Pipes	Weightkg
PS2524110815	63	32	3.8	3.0	70	46	114	91	PE100 SDR17	SDR17	0.28
PS2524141115	110	63	6.6	5.8	93	65	158	139	PE100 SDR17	SDR17	1.1
PS2524141315	110	90	6.6	5.4	91	83	160	158	PE100 SDR17	SDR17	1.2
PS2524151115	125	63	7.4	5.8	101	70	179	157	PE100 SDR17	SDR17	1.1
PS2524151215	125	75	7.4	4.5	102	76	179	162	PE100 SDR17	SDR17	1.4
PS2524151315	125	90	7.4	5.4	100	86	179	170	PE100 SDR17	SDR17	1.4
PS2524151415	125	110	7.4	6.6	101	96	179	179	PE100 SDR17	SDR17	1.5
PS2524161115	140	63	8.3	5.8	103	69	193	165	PE100 SDR17	SDR17	1.9
PS2524161215	140	75	8.3	4.5	104	77	193	177	PE100 SDR17	SDR17	2.0
PS2524161315	140	90	8.3	5.4	105	85	193	188	PE100 SDR17	SDR17	2.0
PS2524161415	140	110	8.3	6.6	105	88	193	188	PE100 SDR17	SDR17	2.1
PS2524171115	160	63	9.5	5.8	110	72	212	179	PE100 SDR17	SDR17	2.9
PS2524171215	160	75	9.5	4.5	110	71	212	178	PE100 SDR17	SDR17	2.9

Product Code	D1mm	D2mm	e1mm	e2mm	L1mm	L2	z1mm	z2mm	Gas Pressure Rating	Suitable Pipes	Weightkg
PS2524171315	160	90	9.5	5.4	110	85	212	196	PE100 SDR17	SDR17	2.9
PS2524171415	160	110	9.5	6.6	110	93	212	201	PE100 SDR17	SDR17	3.0
PS2524181215	180	75	10.7	4.5	116	77	230	197	PE100 SDR17	SDR17	3.9
PS2524181315	180	90	10.7	5.4	117	85	230	208	PE100 SDR17	SDR17	4.0
PS2524181415	180	110	10.7	6.6	117	98	230	218	PE100 SDR17	SDR17	4.0
PS2524181515	180	125	10.7	7.4	117	100	230	223	PE100 SDR17	SDR17	4.1
PS2524181615	180	140	10.7	8.3	116	105	230	225	PE100 SDR17	SDR17	4.2
PS2524181715	180	160	10.7	9.5	116	112	230	232	PE100 SDR17	SDR17	4.4
PS2524191115	200	63	11.9	5.8	127	72	255	195	PE100 SDR17	SDR17	5.1
PS2524191215	200	75	11.9	4.5	127	80	255	203	PE100 SDR17	SDR17	5.2
PS2524191315	200	90	11.9	5.4	127	87	255	212	PE100 SDR17	SDR17	5.2
PS2524191415	200	110	11.9	6.6	127	97	255	224	PE100 SDR17	SDR17	5.3
PS2524191515	200	125	11.9	7.4	127	104	255	225	PE100 SDR17	SDR17	5.4
PS2524191715	200	160	11.9	9.5	127	112	255	242	PE100 SDR17	SDR17	5.7

Product Code	D1mm	D2mm	e1mm	e2mm	L1mm	L2	z1mm	z2mm	Gas Pressure Rating	Suitable Pipes	Weightkg
PS2524201115	225	63	13.4	5.8	130	68	270	245	PE100 SDR17	SDR17	6.7
PS2524201215	225	75	13.4	4.5	130	75	270	251	PE100 SDR17	SDR17	6.7
PS2524201315	225	90	13.4	5.4	130	87	270	264	PE100 SDR17	SDR17	6.8
PS2524201415	225	110	13.4	6.6	128	92	261	268	PE100 SDR17	SDR17	7.0
PS2524201515	225	125	13.4	7.4	130	92	261	267	PE100 SDR17	SDR17	7.0
PS2524201615	225	140	13.4	8.3	130	105	270	280	PE100 SDR17	SDR17	7.2
PS2524201715	225	160	13.4	9.5	120	110	261	248	PE100 SDR17	SDR17	7.2
PS2524211315	250	90	14.8	5.4	145	85	298	235	PE100 SDR17	SDR17	7.3
PS2524211415	250	110	14.8	6.6	145	95	298	265	PE100 SDR17	SDR17	7.3
PS2524211515	250	125	14.8	7.4	145	115	298	270	PE100 SDR17	SDR17	7.6
PS2524211715	250	160	14.8	9.5	145	100	298	275	PE100 SDR17	SDR17	7.6
PS2524221415	280	110	16.6	6.6	146	95	321	260	PE100 SDR17	SDR17	9.9
PS2524221715	280	160	16.6	9.5	146	118	321	280	PE100 SDR17	SDR17	10.1
PS2524231415	315	110	18.7	6.6	165	100	352	291	PE100 SDR17	SDR17	13.6

Product Code	D1mm	D2mm	e1mm	e2mm	L1mm	L2	z1mm	z2mm	Gas Pressure Rating	Suitable Pipes	Weightkg
PS2524231715	315	160	18.7	9.5	165	110	352	305	PE100 SDR17	SDR17	14.6
PS2524232115	315	250	18.7	14.8	165	137	352	328	PE100 SDR17	SDR17	15.2
PS2524232215	315	280	18.7	16.6	165	150	352	340	PE100 SDR17	SDR17	15.0