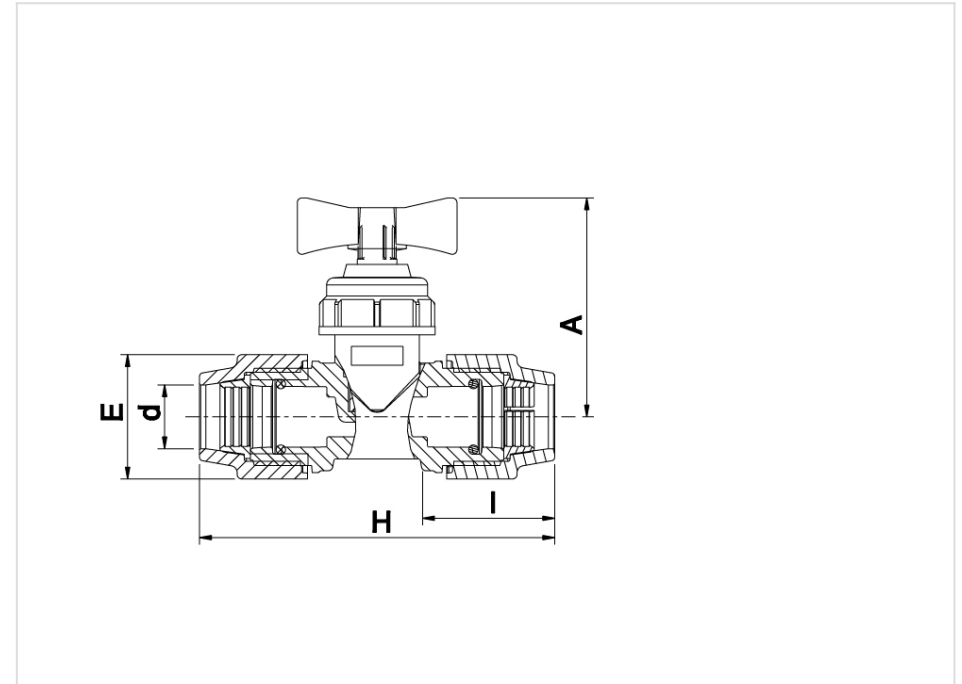


# COMPRESSION STOPTAP

#034070



**Body Material:** Polypropylene, high-grade copolymer.

**Nut Material:** Polypropylene, high-grade copolymer.;

**Split Ring Material:** Polyacetal

**Seal Material:** NBR

## Family Products

<b>Product Code</b>	<b>dmm</b>	<b>Amm</b>	<b>Emm</b>	<b>Hmm</b>	<b>Lmm</b>	<b>Pressure Rating Water</b>	<b>Weightg</b>
PV03407020	20	87	48	147	47	PN 16	168
PV03407025	25	87	54	154	49	PN 16	190
PV03407032	32	87	64	174	57	PN 16	260