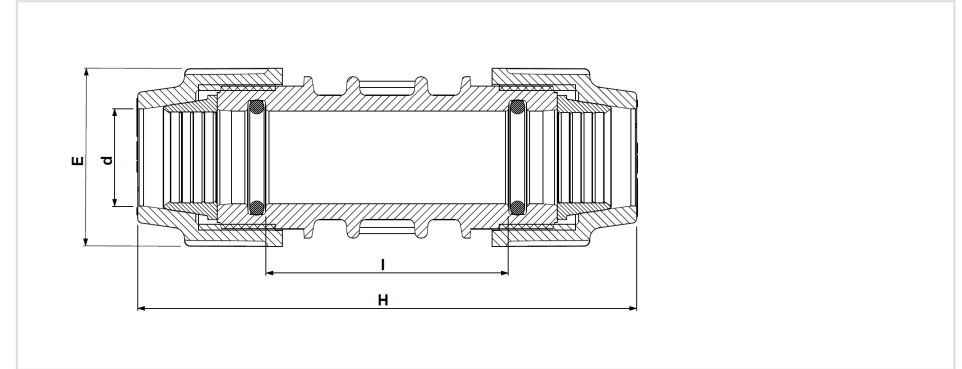


REPAIR COUPLING

#076100



Body Material: Polypropylene, high-grade copolymer.

Nut Material: Polypropylene, high-grade copolymer.;

Split Ring Material: Polyacetal

Seal Material: NBR

Family Products

Product Code	dmm	Emm	Hmm	Lmm	Pressure Rating Water	Weightg
PL076100020	20	48	122	78	PN 16	141
PL076100025	25	54	136	90	PN 16	119
PL076100032	32	64	174	120	PN 16	202
PL076100040	40	82	215	148	PN 16	360
PL076100050	50	96	244	158	PN 16	536
PL076100063	63	113	270	170	PN 16	836
PL876100075	75	132	289	143	PN 16	1205
PL876100090	90	152	334	164	PN 16	1893
PL876100110	110	181	398	196	PN 16	3258
PL076100125	125	212	460	265	PN 16	5318