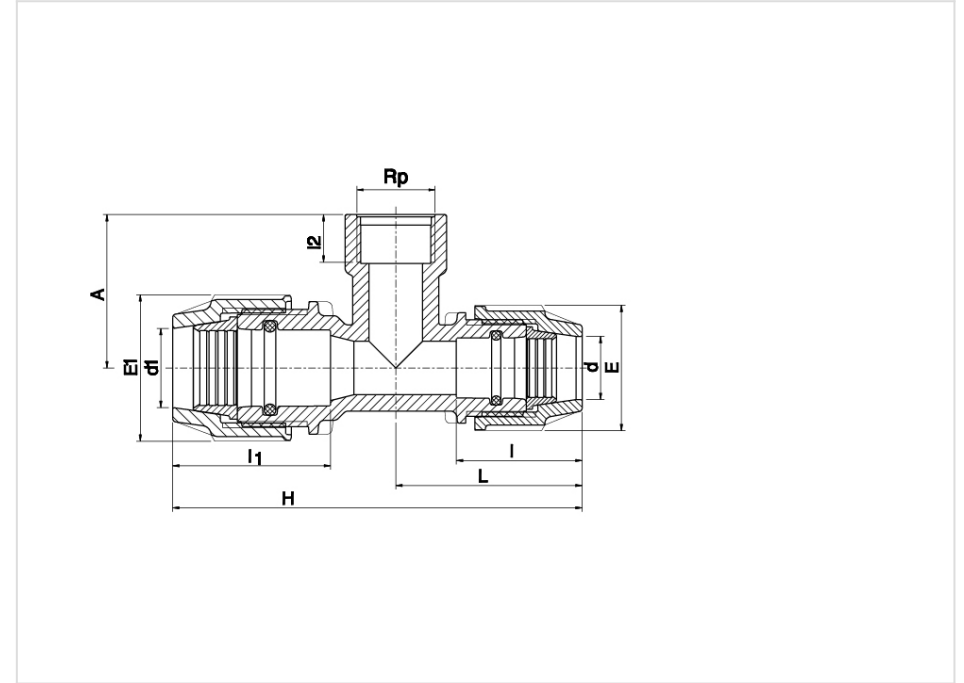


90° REDUCING TEE WITH THREADED FEMALE OFFTAKE

#0714S0



Body Material: Polypropylene, high-grade copolymer.

Nut Material: Polypropylene, high-grade copolymer.;

Split Ring Material: Polyacetal

Seal Material: NBR

Family Products

Product Code	d _{mm}	R _{pinch}	A _{mm}	E _{mm}	E1 _{mm}	H _{mm}	I1 _{mm}	L _{mm}	L2 _{mm}	Pressure Rating Water	Weight _g
PL0714S0020016	20	3/4"	42	48	39	132	50	52	19	PN 16	86
PL0714S0025020	25	3/4"	42	54	48	139	52	53	22	PN 16	145
PL0714S0032025	32	1"	58	64	54	169	58	67	22	PN 16	176