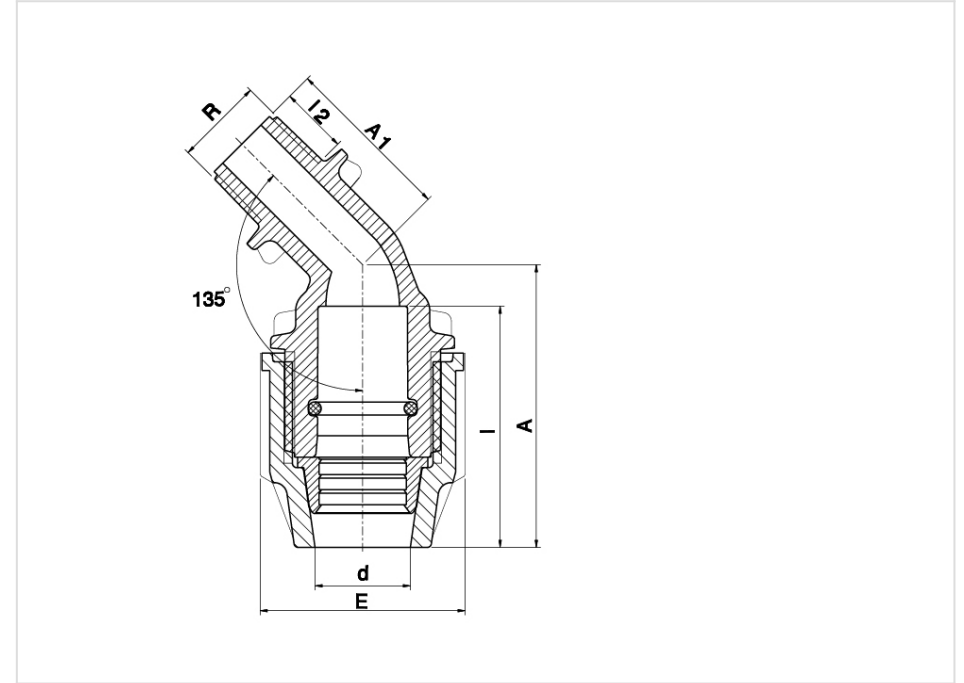


# 45° ELBOW WITH THREADED MALE OFFTAKE

#074500



**Body Material:** Polypropylene, high-grade copolymer.

**Nut Material:** Polypropylene, high-grade copolymer.;

**Split Ring Material:** Polyacetal

**Seal Material:** NBR

## Family Products

Product Code	dmm	Rinch	Amm	A1mm	Emm	Lmm	L2mm	Pressure Rating Water	Weightg
PL074500020005	20	1/2"	64	40	48	57	17	PN 16	54
PL074500020007	20	3/4"	64	41	48	57	18	PN 16	55