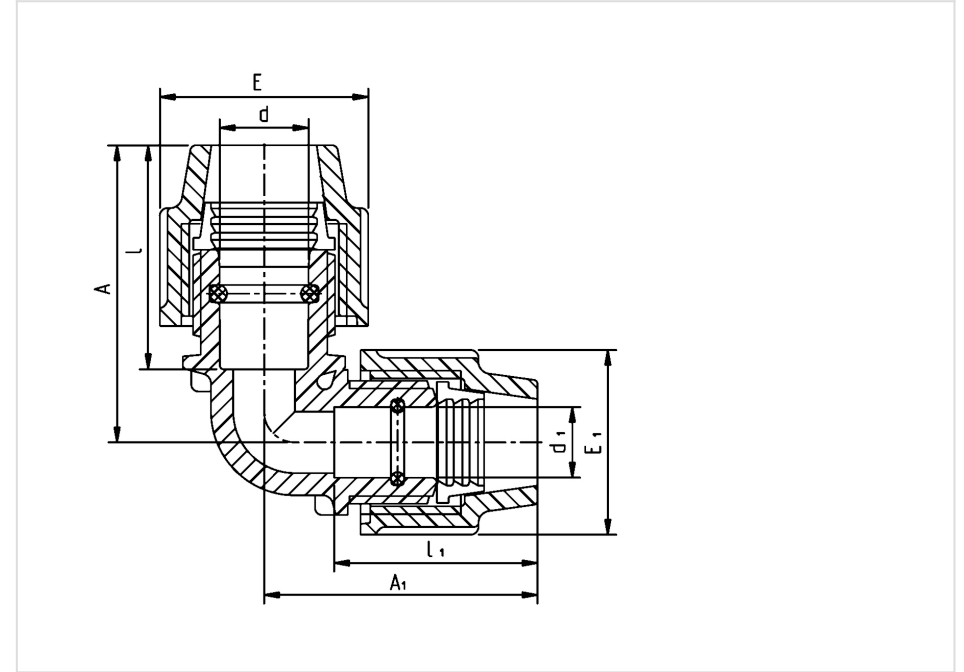


# 90° REDUCING ELBOW

#075100



**Body Material:** Polypropylene, high-grade copolymer.

**Nut Material:** Polypropylene, high-grade copolymer.;

**Split Ring Material:** Polyacetal

**Seal Material:** NBR



## Family Products

Product Code	d <sub>mm</sub>	d <sub>1mm</sub>	A <sub>mm</sub>	A <sub>1mm</sub>	E <sub>mm</sub>	E <sub>1mm</sub>	I <sub>1mm</sub>	L <sub>mm</sub>	Pressure Rating Water	Weight <sub>g</sub>
PL075100025020	25	20	90	75	54	48	57	58	PN 16	114