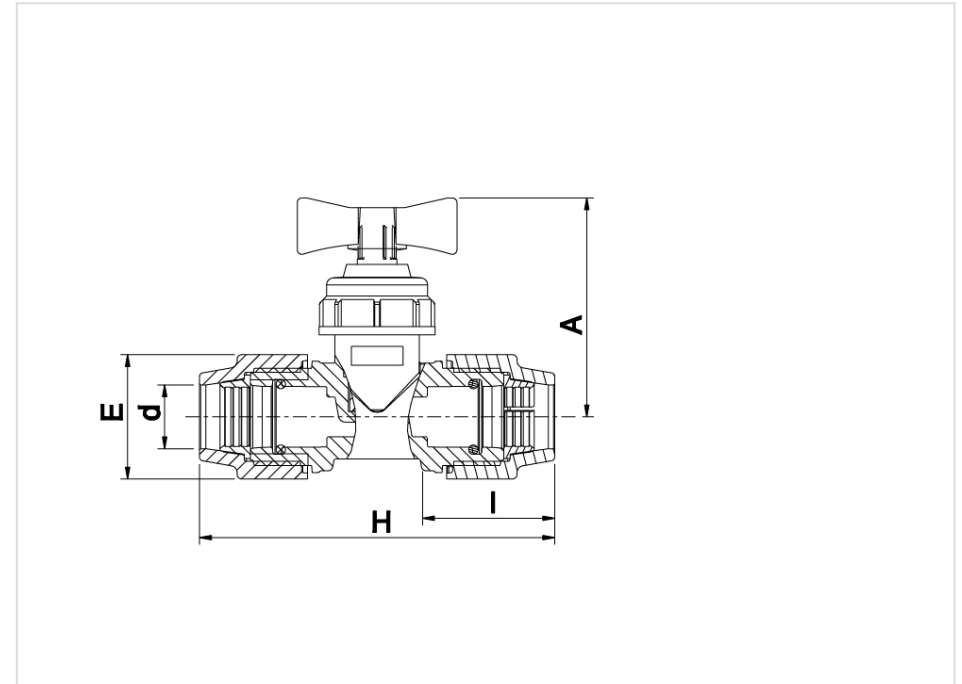


COMPRESSION STOPTAP

#034070



Body Material: Polypropylene, high-grade copolymer.

Nut Material: Polypropylene, high-grade copolymer.;

Split Ring Material: Polyacetal

Seal Material: NBR

Family Products

Product Code	dmm	Amm	Emm	Hmm	Lmm	Pressure Rating Water	Weight_g
PV03407020	20	87	48	147	47	PN 16	168
PV03407025	25	87	54	154	49	PN 16	190
PV03407032	32	87	64	174	57	PN 16	260