

When Everything Comes Together

Water Meter Connections & Shut Off Valves for Multi Use Buildings



Global Presence - Local Commitment

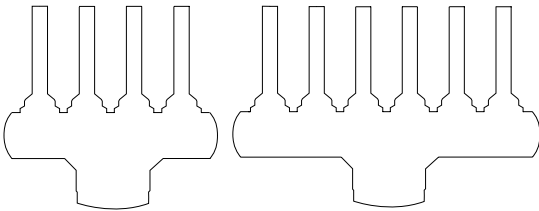
Multiport Manifolds

Meter Manifolds 3524/3523 & Dead Leg Kit 3534

Manifolds allow you to control separate flow lines within a pipe system by breaking down the flow into sections. The Plasson multiport manifold system is available in a number of configurations for applications such as multi-occupancy premises. The 25mm outlets can be fitted with either a meter mount kit, with a stop valve or simply allow the water supply pipe to be routed to the required location. Plasson manifold systems are available in 3, 4 and 6 port options with either a centre or end feed connection to suit all applications.

3524 Manifold 2" Centre feed

- 4 port and 6 port - Inlet connection 2" BSP MI thread

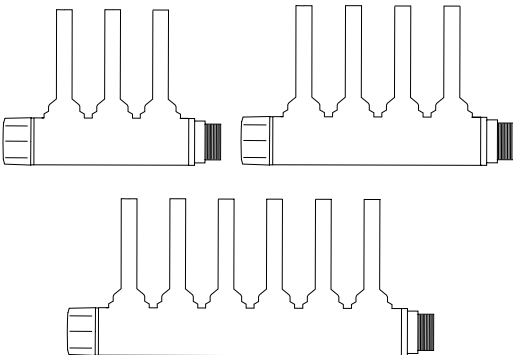


Code	Description
3524004	4 Port Centre Connection
3524006	6 Port Centre Connection



3523 Manifold 2" End feed

- 3 port, 4 port and 6 port - connections 2" MI and FI
- End feed manifolds can be joined together
- For blanking off an end feed manifold, a dead leg kit must be fitted

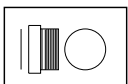


Code	Description
3523003	3 Port End Connection
3523004	4 Port End Connection
3523006	6 Port End Connection
3534000	Dead Leg Kit



3534 Dead Leg Kit

Where an end feed manifold is used without 'continuation' a dead leg kit is required to blank the open end.



Code	Description
3534000	Dead Leg Kit

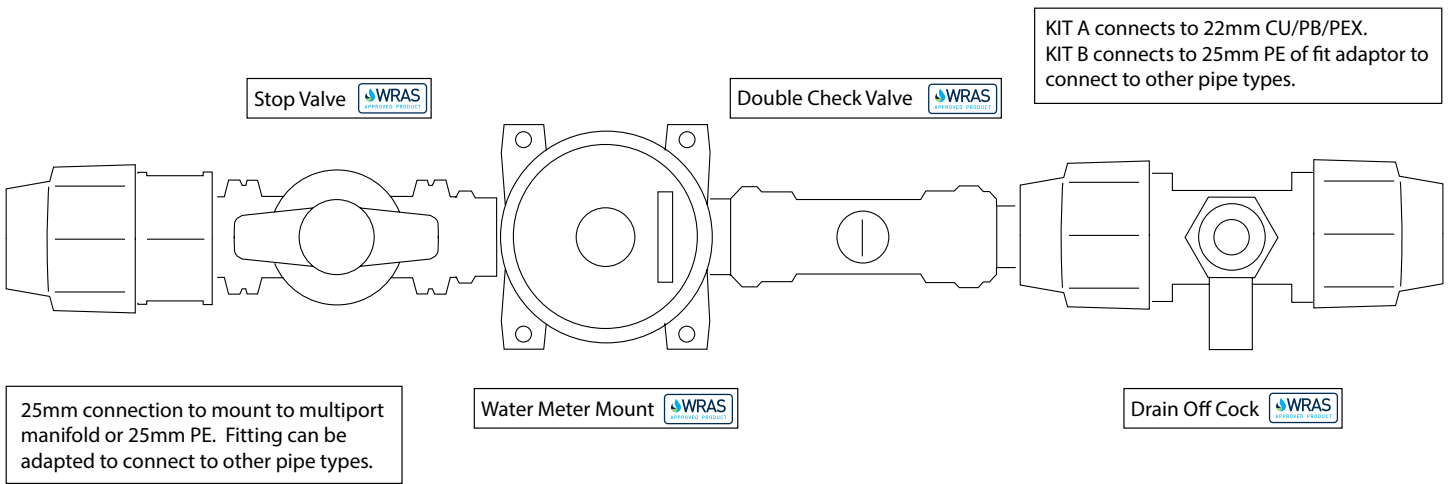


Meter Mount Kits

Meter Mount Kits 3535 Kit A & 3536 Kit B

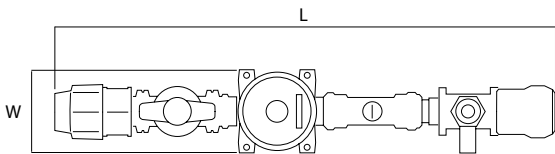
Connection from the manifold for each individual supply requires several components to be included to meet water company requirements / regulations. Water meter mounts are supplied with a temporary cap to enable commissioning, prior to the fitting of the water meter.

The meter mount kit can either be fitted directly to the multiport manifold or placed in the supply line at a convenient location. Using the meter mount kit ensures all the necessary components are installed and of the required standard / approvals.



3535 Kit A

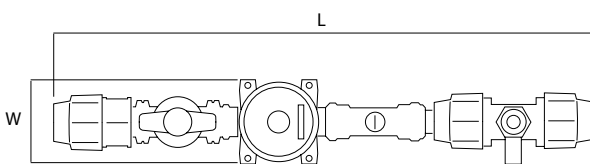
- connection to 22mm Copper/pb/pex



Code	Description	L (mm)	W (mm)
3535001	25mm x 22mm	481	114

3536 Kit B

- connection to 25mm MDPE (or adapt to suit)



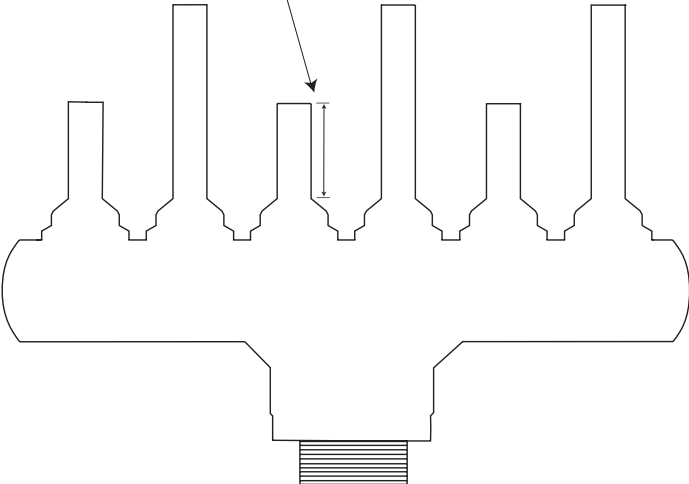
Code	Description	L (mm)	W (mm)
3536001	25mm x 25mm	500	114

Building Multiport Manifolds

Building Multiport Manifolds & Meter Connection Kit

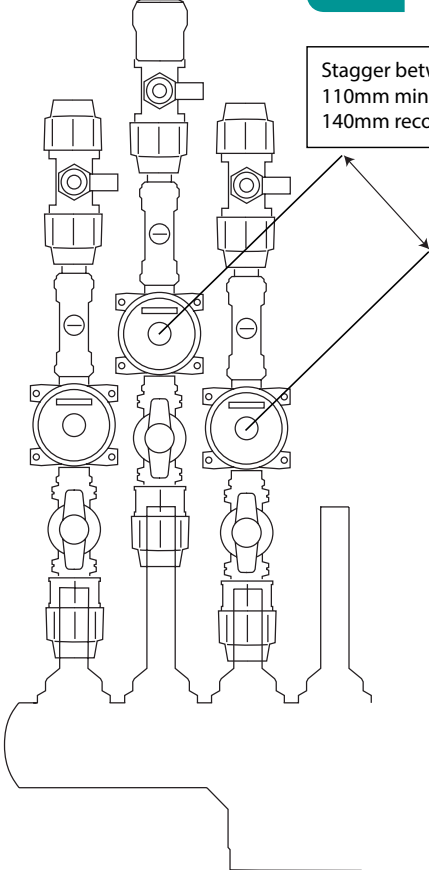
1

To allow stagger between meters, alternate tails require cutting back to minimum 70mm, recommended 100mm length.



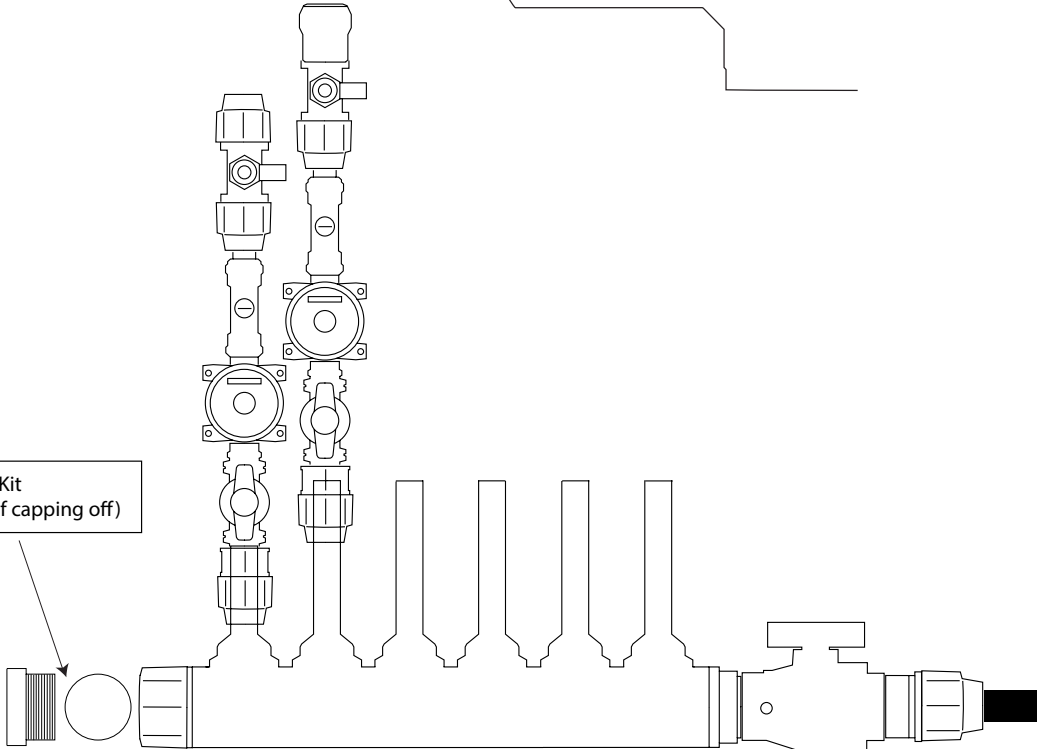
2

Stagger between meter centres
110mm minimum
140mm recommended



3

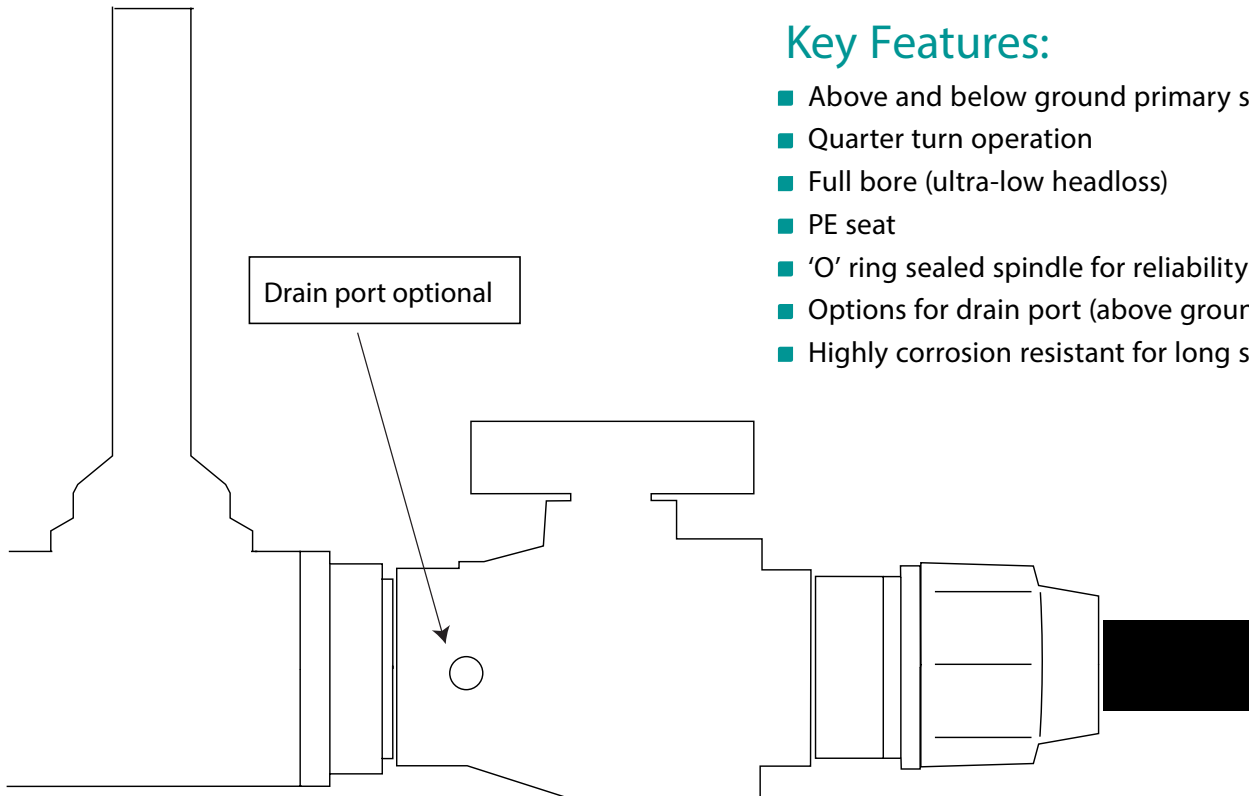
Dead Leg Kit
(required if capping off)



3703 Mains Stop Valve for Above & Below Ground

Isolation of the manifold on the incoming main can be achieved using the Plasson 3703 Mains Stop Valve. This quarter turn valve can be installed any where along the incoming main, or directly screwed to the multiport manifold.

The 3703 valve is also available with a built in drain port, allowing the full manifold assembly to be isolated and drained if required.



Key Features:

- Above and below ground primary stop valve
- Quarter turn operation
- Full bore (ultra-low headloss)
- PE seat
- 'O' ring sealed spindle for reliability
- Options for drain port (above ground only)
- Highly corrosion resistant for long service life

Code Without Drain Above & Below Ground	Code With Drain Above Ground only	size	DN x Rc	A1	A2	H	I	B	E	W	Box Qty
370300020	37030F020	2"	50 x 2"	53	97	162	29	75	100	918	24



When Everything Comes Together

Plasson UK Ltd. Plasson House, 27 Albert Drive, Burgess Hill, West Sussex. RH15 9TN
Tel: +44 (0) 1444 244446 | Fax: +44 (0) 1444 258683 | Email: sales@plasson.co.uk



Global Presence - Local Commitment

www.plasson.co.uk

