

## Plasson UK Ltd

Plasson's comprehensive range of solutions for connecting PE pipe can be found in over 80 countries world-wide. The combination of Plasson's high quality products and first class customer service make it a world leader in the production of plastic pipe fittings.

## Applications

- Domestic
- Water Utilities
- Commercial
- Industrial
- Agricultural
- Building
- Plumbing

## Product Range:

- mechanical
- pushfit
- electrofusion
- valves
- metering
- repair clamps
- threaded
- tools/accessories
- specialist ef tooling

## Key Benefit

Plasson Stainless Steel Repair Clamps are quick and easy to use making them ideal for emergency repairs.

## Contact Us:

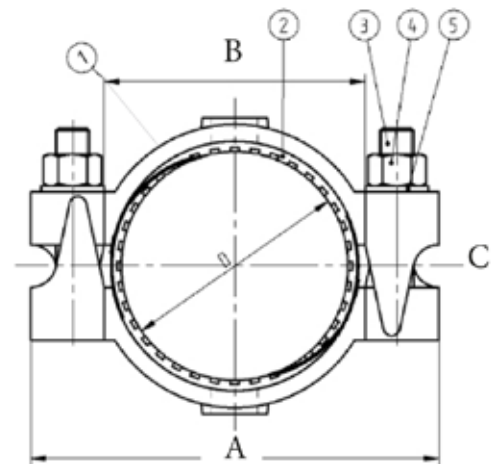
Plasson UK Ltd  
Plasson House  
27 Albert Drive  
Burgess Hill  
West Sussex  
RH15 9TN  
  
Tel: 01444 244446  
Fax: 01444 258683  
sales@plasson.co.uk



# PLASSON®

## 6801 Ductile Repair Clamps

- Made from Ductile Iron with Epoxy Coating and stainless bridging plates
- Two part body separates so it can be used without cutting the pipe
- Excellent tolerance range
- Extremely strong and durable
- Cost effective
- Captive bolts with heads held in recesses
- Only one tool required for tightening
- Waffle type seal ensuring optimum seal
- Innovative design reduces the size of the excavation needed



1. Ductile iron sectors
2. Rubber seal gasket
3. Hot dip galvanized bolt
4. Hot dip galvanized nut
5. Hot dip galvanized washers

Code	Range
6801B00	92 - 103 x 200
6801CC00	115 - 125 x 200
6801D00	141 - 154 x 200
6801E00	166 - 181 x 200
6801F00	216 - 226 x 200

FITTING	PRESSURE RATING
6801	PN16
COMPONENT	MATERIALS
Clamp Body	Ductile Iron GJS 400-15 UNI EN 1563
Clamp Coating	PPA 571 ES Blue 536
Bridging Plates	Stainless Steel AISI 304 18.8
Waffle Seal	EPDM APE 55N Shore 53 + or -5
Bolts	High Tensile Steel, Galvanised M12 and M16
WRAS Cert No	1009550



Global Presence - Local Commitment

**PLASSON® UK**

www.plasson.co.uk