

Plasson's comprehensive range of solutions for connecting PE pipe can be found in over 80 countries world-wide.

The combination of Plasson's high quality products and first class customer service make it a world leader in the production of plastic pipe fittings.

Product Range:

- mechanical
- pushfit
- electrofusion
- valves
- metering
- repair clamps
- threaded
- tools/accessories
- specialist ef tooling



Contact Us:

Plasson UK Ltd
Plasson House
27 Albert Drive
Burgess Hill
West Sussex
RH15 9TN

Tel: 01444 244446

Fax: 01444 258683

sales@plasson.co.uk

PLASSON metering



Gladiator Positive displacement concentric water meter

The Gladiator is a positive displacement water meter, rotating piston type. The flowing water causes the piston to rotate within its chamber, each piston revolution being equivalent to a known volume of water.

The piston movement is transferred by a magnetic coupling to the register which has the appropriate reduction gearing.

The Gladiator is designed for the UK market and its unique requirements. It is class D rated, Weights and Measures approved for charging purposes.



Applications

Wholesome (potable) water

Available Sizes

15mm / 1/2"
(to suit 1 1/2" concentric meter carrier)

Standards

ISO 4064 (class D), BS-EN 14154, WRAS,
EEC metrological requirements, MID 2004/22/EC

Technical Specifications

Maximum Working Pressure: **16 bar**
Maximum Working Temperature: **50°C**
Body: **Highly reinforced composite material**

Features

- Specially designed for high accuracy and wide measuring range
- Sealed super-dry register
- IP68 Pulse under the glass register

Installation Requirements

- The meter can be installed in any position (horizontal, vertical or inclined).
- The meter must be always full of water while operating.
- **Prior to the installation of a new meter, the pipeline must be flushed out.**

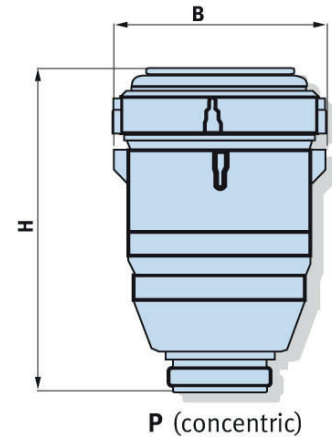
Global Presence - Local Commitment

Applications:

- domestic
- water utilities
- commercial
- industrial
- agricultural
- building
- plumbing

Dimensions:

Model		P15 (concentric)
Nominal size	(mm)	15
	(inch)	1/2
Connection Size		1 1/2
B - Width (mm)		103
H - Height (mm)		146
Weight (kg)		0.66



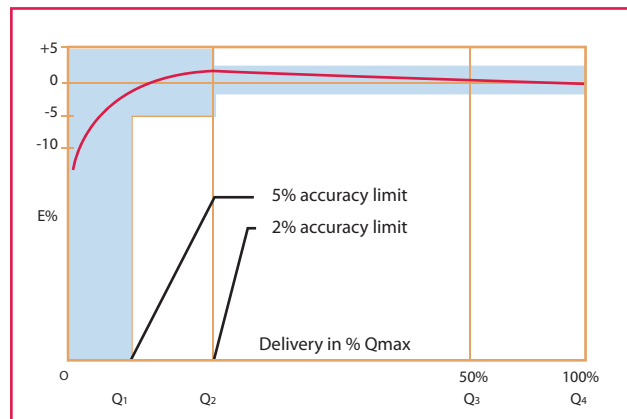
Performance data:

Model	Nom Size (mm)	Q4 Max flowrate (m ³ /h)	Q3 Nom flowrate (m ³ /h)	Q2 Nom flowrate (l/h)	Q1 Min flowrate (l/h)	R Q3/Q1	Max register capacity (m ³)	Min register capacity (liter)	Sensitivity (l/h)
P15 (concentric)	15	2	1.6	8	5	315	10 ⁵	0.1	1
P15 (concentric)	15	2	1.6	10.5	6	250	10 ⁵	0.1	1
P15 (concentric)	15	2	1.6	13	8	200	10 ⁵	0.1	1

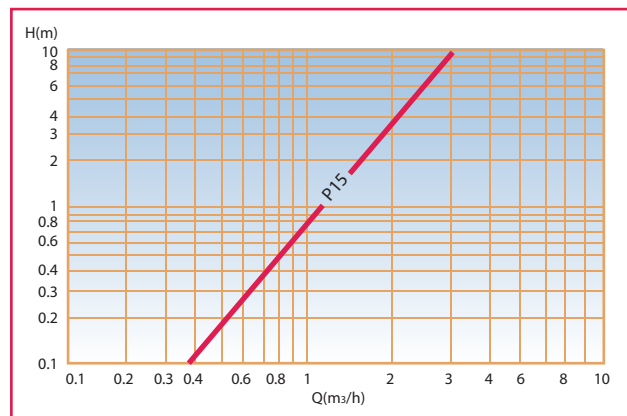
Key Benefits:

- class D rated
- high accuracy
- pulse compatible

Accuracy Curve



Head Loss Curve



Contact Us:

Plasson UK Ltd
Plasson House
27 Albert Drive
Burgess Hill
West Sussex
RH15 9TN

Tel: 01444 244446

Fax: 01444 258683

sales@plasson.co.uk