

# Plass4 Universal Fittings

## Universal Coupler & Universal Elbow

### About:

PLASSON have one of the widest ranges of pipe fittings in the world with sizes ranging from 16mm to 900mm, pressure ratings 0 bar to 25 bar, accepting nearly all existing pipe ranges, metric and imperial including polyethylene, lead, copper and galvanised. PLASSON have a 50 year in the ground track record for its products. We pride ourselves not only on the quality of our fittings but also on our high standard of service, delivery and aftersales support.

### Product Range:

- mechanical
- pushfit
- electrofusion
- valves
- metering
- repair clamps
- threaded
- tools/accessories
- specialist ef tooling

### Contact Us:

Plasson UK Ltd  
Plasson House  
27 Albert Drive  
Burgess Hill  
West Sussex  
RH15 9TN

Tel: 01444 244446  
Fax: 01444 258683  
sales@plasson.co.uk

Plass4 is a universal pipe fitting which connects metric polyethylene to a wider range of pipe types: including imperial polyethylene (alkathene), copper (table X & Y), lead, galvanised steel, PVCu & poly-york.

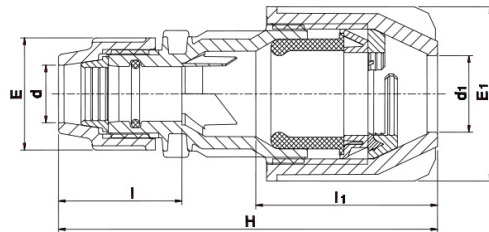
Plass4 is easy to use with no specialist tools needed to complete the joint. The fitting is made from virgin polypropylene which makes it extremely strong and long-lasting. Plass4 fittings have a design life of 50 years, the same as our standard fittings. Due to its versatility, only a few fitting sizes are needed to cover all pipes from 15mm to 50mm.

### Key Features:

- Connects MDPE pipe to all metal pipe: imperial & metric, copper & steel.
- Connects plastic pipe, imperial & metric PE, UPVC & Poly-York.
- Allows for an immediate repair.
- Couplers available to cover the O/D size range 15mm to 50mm.
- Elbows available to cover the O/D size range 15mm to 32mm.
- Easy to use & no specialist tools needed.
- 50 year design life.

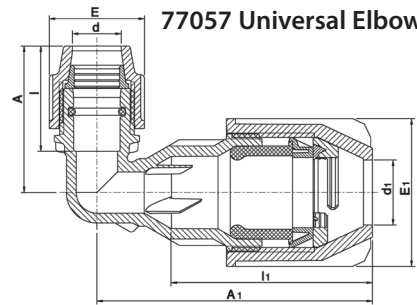


77017 Universal Coupler



Code	Size dxd1	E	E1	d	d1	I	I1	H
77017251	25 x 15-22	54	64	25	15-22	58	80	165
77017252	25 x 20-27	54	71	25	20-27	58	85	170
77017253	25 x 27-35	54	83	25	27-35	58	90	180
77017500	32 x 20-27	64	71	32	20-27	67	85	180
77017323	32 x 27-35	64	83	32	27-35	67	90	195
77017504	50 x 35-50	96	121	50	35-50	93	125	270

77057 Universal Elbow



Code	Size dxd1	A	A1	d	d1	E	E1	I	I1
77057251	25 x 15-22	81	128	25	15-22	54	64	58	105
77057252	25 x 20-27	81	139	25	20-27	54	71	58	105
77057253	25 x 27-35	81	153	25	27-35	54	83	58	112

#### Technical Specifications

Maximum Pressure	PN16
Operating Temperatures	Max 40°C / No minimum
Body Material	Polypropylene, high grade copolymer
Product Components	Nut Polypropylene Grip ring with integral stainless steel teeth NBR
Standards	ISO 14236