

# 6801 Ductile Repair Clamp

## About:

PLASSON have one of the widest ranges of pipe fittings in the world with sizes ranging from 16mm to 900mm, pressure ratings 0 bar to 25 bar, accepting nearly all existing pipe ranges, metric and imperial including polyethylene, lead, copper and galvanised. PLASSON have a 50 year in the ground track record for its products. We pride ourselves not only on the quality of our fittings but also on our high standard of service, delivery and aftersales support.

## Product Range:

- mechanical
- pushfit
- electrofusion
- valves
- metering
- repair clamps
- threaded
- tools/accessories
- specialist ef tooling

## Contact Us:

Plasson UK Ltd  
Plasson House  
27 Albert Drive  
Burgess Hill  
West Sussex  
RH15 9TN

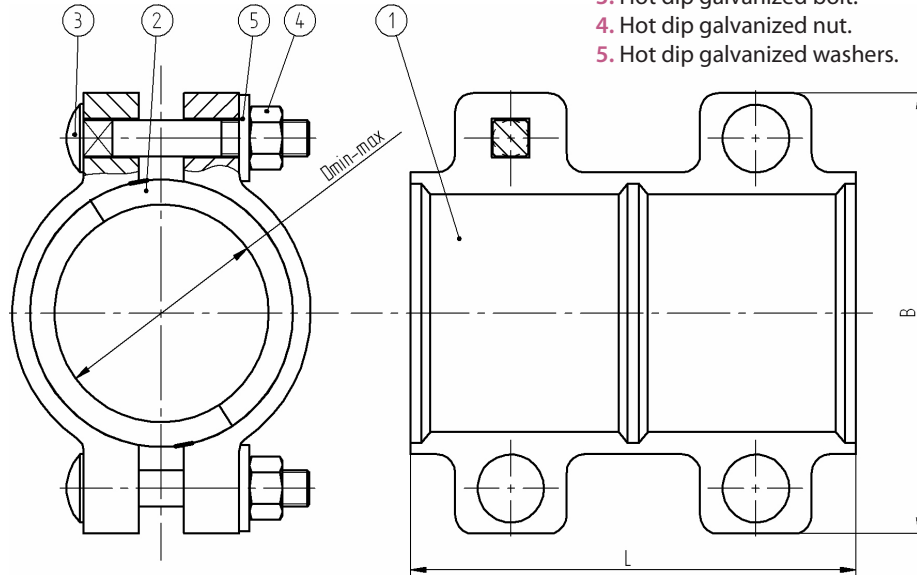
Tel: 01444 244446  
Fax: 01444 258683  
sales@plasson.co.uk

## Key Features:

- Made from Ductile Iron with Epoxy coating and stainless bridging plates.
- Two part body separates so it can be used without cutting the pipe.
- Excellent tolerance range.
- Extremely strong and durable.
- Cost effective.
- Captive bolts with heads held in recesses.
- Innovative design reduces the size of the excavation needed.



1. Ductile iron sectors.
2. Rubber seal gasket.
3. Hot dip galvanized bolt.
4. Hot dip galvanized nut.
5. Hot dip galvanized washers.



## 6801 Repair Clamp Ductile Iron (200mm - 4 bolt)

Code	d
6801B00	92-103 x 200
6801CC00	115-125 x 200
6801D00	141-154 x 200
6801E00	166-181 x 200
6801F00	216-226 x 200

Fitting	Pressure Rating
6801	PN16
Component	Materials
Clamp Body	Ductile Iron GJS 400-15 UNI EN 1563
Clamp Coating	PPA 571 ES Blue 536
Bridging Plates	Stainless Steel AISI 304 18.8
Waffle Seal	EPDM APE 55N Shore 53 + or -5
Bolts	High Tensile Steel, Galvanised M12 and M16
WRAS Cert No	1009550