

Universal Stop Tap

For Above & Below Ground use

About:

PLASSON have one of the widest ranges of pipe fittings in the world with sizes ranging from 16mm to 900mm, pressure ratings 0 bar to 25 bar, accepting nearly all existing pipe ranges, metric and imperial including polyethylene, lead, copper and galvanised. PLASSON have a 50 year in the ground track record for its products. We pride ourselves not only on the quality of our fittings but also on our high standard of service, delivery and aftersales support.

Product Range:

- mechanical
- pushfit
- electrofusion
- valves
- metering
- repair clamps
- threaded
- tools/accessories
- specialist ef tooling

Contact Us:

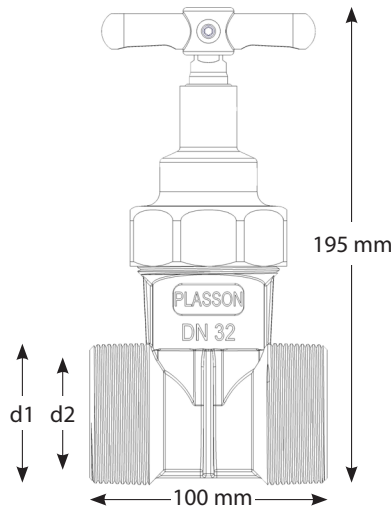
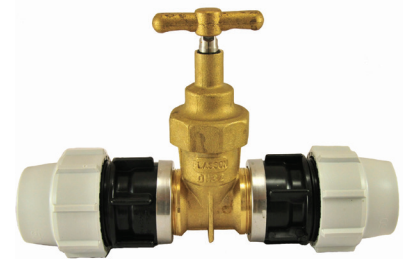
Plasson UK Ltd
Plasson House
27 Albert Drive
Burgess Hill
West Sussex
RH15 9TN

Tel: 01444 244446
Fax: 01444 258683
sales@plasson.co.uk

The PLASSON resilient seal gate valve is designed for potable water. Made from dezincification resistant special brass, they are extremely corrosion resistant, they can be installed even in very challenging soil.

Key Features:

- Above and below ground primary stop valve.
- Gate valve operation.
- Heavy duty stainless steel spindle.
- 'O' ring sealed spindle for reliability.
- Highly corrosion resistant for long service life.
- MI 2" and FI 1½" threads on each end.
- Low headloss due to gate valve pattern design.
- Resilient coating on gate to provide positive seal.



Code	d1	d2	w (kg)
9048	2" MI	1½" FI	2.05
9048A	50mm (7030 50mm x 2" FI)		2.65
9048A63	63mm (7030 63mm x 2" FI)		2.85

The valve bonnet structure and the stem being made from AISI316 Stainless Steel ensures functionality regardless of how often or how seldom the valve is used. This manually operated cold water shut-off valve is suitable for 50mm and 63mm water pipes. Use PLASSON female adaptor (7030) to adapt the threaded valve to PE pipe as required.

Technical Details:	
Application:	Manually operated resilient seal gate valves for potable water.
Materials: Body:	DZR: CC7525 / CW602N / CW617N (CENT/TS 13388)
Stem:	ANSI316 stainless
Seat & 'O' ring:	NBR
Dezincification resistance:	EN ISO 6509
Mechanical strength:	Bending stress DN50 (310Nm).
Stress corrosion:	ISO 6957
Threads:	ISO228-1 (SFS-EN 1254-4) / ISO-1. 1½" female and 2" male thread.
Pressure rating:	PN16
Pressure loss:	EN 1267
Pressure testing:	EN 1213(1), test pressure 25bar 10 mins.
Operating test:	EN 1213(1), open/close - 1,000 cycles at 200-400 kPa pressure.