

About:

PLASSON have one of the widest ranges of pipe fittings in the world with sizes ranging from 16mm to 900mm, pressure ratings 0 bar to 25 bar, accepting nearly all existing pipe ranges, metric and imperial including polyethylene, lead, copper and galvanised. PLASSON have a 50 year in the ground track record for its products. We pride ourselves not only on the quality of our fittings but also on our high standard of service, delivery and aftersales support.

Product Range:

- mechanical
- pushfit
- electrofusion
- valves
- metering
- repair clamps
- threaded
- tools/accessories
- specialist ef tooling

Contact Us:

Plasson UK Ltd
Plasson House
27 Albert Drive
Burgess Hill
West Sussex
RH15 9TN

Tel: 01444 244446
Fax: 01444 258683
sales@plasson.co.uk

Gladiator

Positive displacement concentric water meter

The Gladiator is a positive displacement water meter rotating piston type. The flowing water causes the piston to rotate within its chamber, each piston revolution being equivalent to a known volume of water.

The piston movement is transferred by a magnetic coupling to the register which has the appropriate reduction gearing.

The Gladiator is designed for the UK market and its unique requirements. It is class D rated, Weights and Measures approved for charging purposes.



Applications

Wholesome (potable water)

Available Sizes

15mm / ½" (to suit 1 ½" concentric meter carrier)

Standards

ISO 4064 (class D), BS-EN 14154, WRAS, EEC metrological requirements, MID 2004/22/EC

Technological Specifications

Maximum Working Pressure: 16 bar
Maximum Working Temperature: 50°C
Body: Highly reinforced composite material

Features

- Specially designed for high accuracy and wide measuring range.
- Sealed super-dry register.
- IP68 Pulse under the glass register.

Installation Requirements

- The meter can be installed in any position (horizontal, vertical or inclined).
- The meter must be always full of water while operating.
- Prior to the installation of a new meter, the pipeline must be flushed out.

About:

PLASSON have one of the widest ranges of pipe fittings in the world with sizes ranging from 16mm to 900mm, pressure ratings 0 bar to 25 bar, accepting nearly all existing pipe ranges, metric and imperial including polyethylene, lead, copper and galvanised. PLASSON have a 50 year in the ground track record for its products. We pride ourselves not only on the quality of our fittings but also on our high standard of service, delivery and aftersales support.

Product Range:

- mechanical
- pushfit
- electrofusion
- valves
- metering
- repair clamps
- threaded
- tools/accessories
- specialist ef tooling

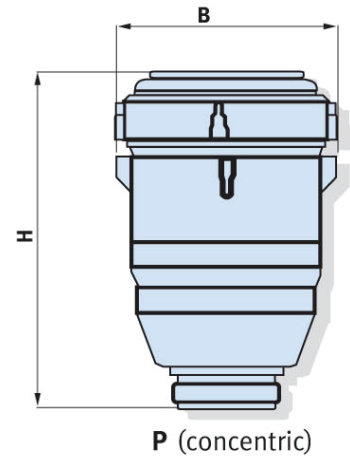
Contact Us:

Plasson UK Ltd
Plasson House
27 Albert Drive
Burgess Hill
West Sussex
RH15 9TN

Tel: 01444 244446
Fax: 01444 258683
sales@plasson.co.uk

Dimensions

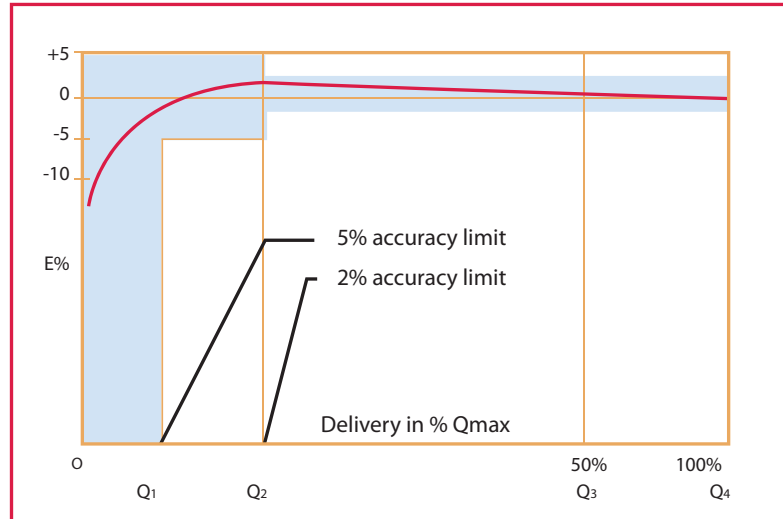
Model	PN15 (concentric)	
Nominal size	(mm)	15
	(inch)	½
Connection size	1 ½	
B - With (mm)	103	
H - Height (mm)	146	
Weight (kg)	0.66	



Performance data:

Model	Nom size (mm)	Q4 Max flowrate (m³/h)	Q3 Nom flowrate (m³/h)	Q2 Nom flowrate (m³/h)	Q1 Max flowrate (l/h)	R Q3/Q1	Max register capacity (m³)	Min register capacity (litre)	Sensitivity (l/h)
P15 (concentric)	15	2	1.6	8	5	315	10 ⁵	0.1	1
P15 (concentric)	15	2	1.6	10.5	6	250	10 ⁵	0.1	1
P15 (concentric)	15	2	1.6	13	8	200	10 ⁵	0.1	1

Accuracy Curve



Head Loss Curve

