

# 3703 Mains Stop Valve

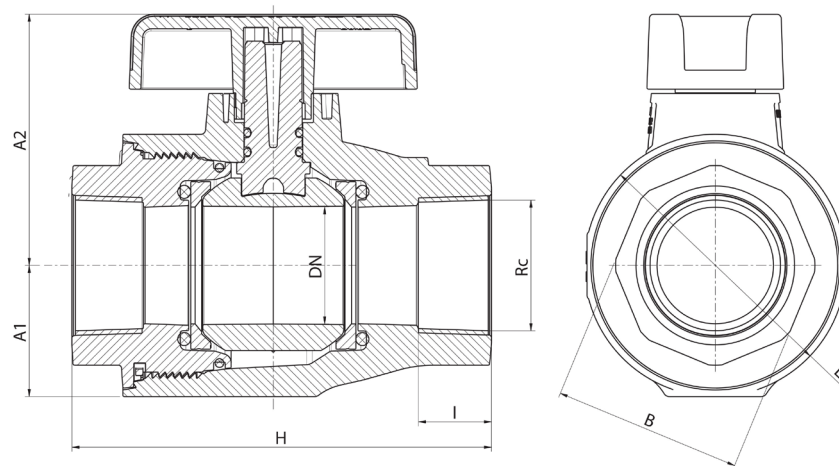
## For Above & Below Ground Use

(including use in contaminated ground)

The first WRAS approved high performance non metallic mains stop valve - an alternative to the BS5433 universal DZR and gunmetal stop valves. **BS8588 approved for use in contaminated ground.**

### Key Features:

- Above and below ground primary stop valve.
- Full bore (ultra-low headloss).
- Quarter turn operation.
- 'O' ring sealed spindle for reliability.
- Options for drain/test port (above ground use).
- Non metallic/corrosion resistant for long service life.
- Lead free.



This manually operated cold water shut off valve is suitable for 20mm - 63mm water pipes. Use PLASSON male adaptor (7020) to adapt threaded valve to PE pipe as required.

Code (no Drain Above & Below Ground)	Code With Drain Above Ground only	size	DN x Rc	A1	A2	H	I	B	E	W	Box Qty
370300007	37030F007	¾"	20 x ¾"	27	54	97	17	36	53	175	72
370300010	37030F010	1"	25 x 1"	33	64	116	21	46	64	313	72
370300013	37030F013	1¼"	32 x 1¼"	36	70	118	20	55	73	393	48
370300015	37030F015	1½"	40 x 1½"	45	87	144	24	65	91	712	30
370300020	37030F020	2"	50 x 2"	53	97	162	29	75	100	918	24

Technical Details:	
Application:	Mains Stop Valve for Above & Below Ground Use
Body & Spindle:	Glass reinforced polyamide
Ball:	Glass reinforced polypropylene
Ball Seat:	Polymeric
Handle:	Polypropylene
Seals:	EPDM
Threads:	BSP
Pressure rating:	Water PN 16

### About:

PLASSON have one of the widest ranges of pipe fittings in the world with sizes ranging from 16mm to 900mm, pressure ratings 0 bar to 25 bar, accepting nearly all existing pipe ranges, metric and imperial including polyethylene, lead, copper and galvanised. PLASSON have a 50 year in the ground track record for its products. We pride ourselves not only on the quality of our fittings but also on our high standard of service, delivery and aftersales support.

### Product Range:

- mechanical
- pushfit
- electrofusion
- valves
- metering
- repair clamps
- threaded
- tools/accessories
- specialist ef tooling

### Contact Us:

Plasson UK Ltd  
Plasson House  
27 Albert Drive  
Burgess Hill  
West Sussex  
RH15 9TN

Tel: 01444 244446  
Fax: 01444 258683  
sales@plasson.co.uk