

PLASSON
valves

Stand out!

NON metallic WRAS approved Mains Stop Valve

For Above & Below Ground. Cost effective alternative to metal valves.



- Size range: 3/4", 1", 1 1/4", 1 1/2", 2"
- Quarter turn operation
- Full bore (ultra-low headloss)
- Options for drain port (for above ground)
- 'O' ring sealed spindle for reliability
- Non metallic / corrosion resistant



www.plasson.co.uk

 **PLASSON**®

Plasson's comprehensive range of solutions for connecting PE pipe can be found in over 80 countries world-wide.

The combination of Plasson's high quality products and first class customer service make it a world leader in the production of plastic pipe fittings.

Product Range:

- mechanical
- pushfit
- electrofusion
- valves
- metering
- repair clamps
- threaded
- tools/accessories
- specialist ef tooling



Contact Us:

Plasson UK Ltd
Plasson House
27 Albert Drive
Burgess Hill
West Sussex
RH15 9TN

Tel: 01444 244446

Fax: 01444 258683

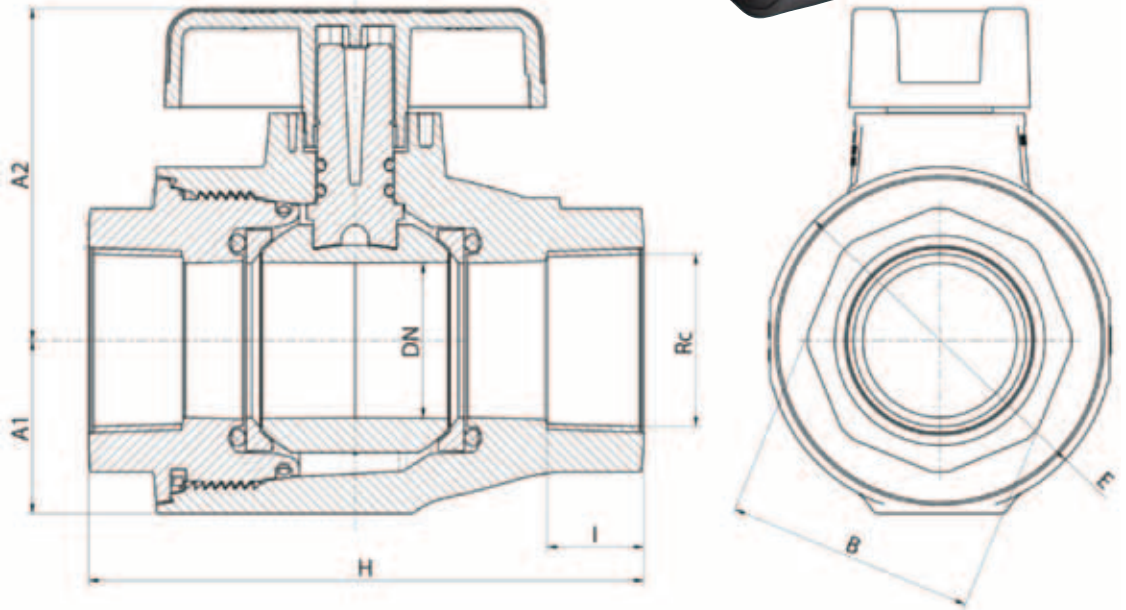
sales@plasson.co.uk

3703 Mains Stop Valve For Above & Below Ground use

The first high performance non metallic mains stop valve - an alternative to the BS5433 type and universal DZR and gunmetal stop valves.
The lead free alternative.

Key Features:

- Above and below ground primary stop valve.
- Full bore (ultra-low headloss).
- Quarter turn operation.
- 'O' ring sealed spindle for reliability.
- Options for drain port.
- Non metallic/corrosion resistant for long service life.
- Lead free.



This manually operated cold water shut off valve is suitable for 20mm - 63mm water pipes. Use Plasson male adaptor (7020) to adapt threaded valve to PE pipe as required.

| Code Without Drain Above & Below Ground | Code With Drain Above Ground only | size | DN x Rc | A1 | A2 | H | I | B | E | W | Box Qty |
|--|--------------------------------------|--------|-------------|----|----|-----|----|----|-----|-----|---------|
| 370300007 | 37030F007 | 3/4" | 20 x 3/4" | 27 | 54 | 97 | 17 | 36 | 53 | 175 | 72 |
| 370300010 | 37030F010 | 1" | 25 x 1" | 33 | 64 | 116 | 21 | 46 | 64 | 313 | 72 |
| 370300013 | 37030F013 | 1 1/4" | 32 x 1 1/4" | 36 | 70 | 118 | 20 | 55 | 73 | 393 | 48 |
| 370300015 | 37030F015 | 1 1/2" | 40 x 1 1/2" | 45 | 87 | 144 | 24 | 65 | 91 | 712 | 30 |
| 370300020 | 37030F020 | 2" | 50 x 2" | 53 | 97 | 162 | 29 | 75 | 100 | 918 | 24 |

| Technical Details: | |
|--------------------|---|
| Application: | Mains Stop Valve For Above & Below Ground Use |
| Body & Spindle: | Glass reinforced polyamide |
| Ball: | Glass reinforced polypropylene |
| Ball Seat: | Polymeric |
| Handle: | Polypropylene |
| Seals: | EPDM |
| Threads: | BSP |
| Pressure rating: | Water PN 16 |